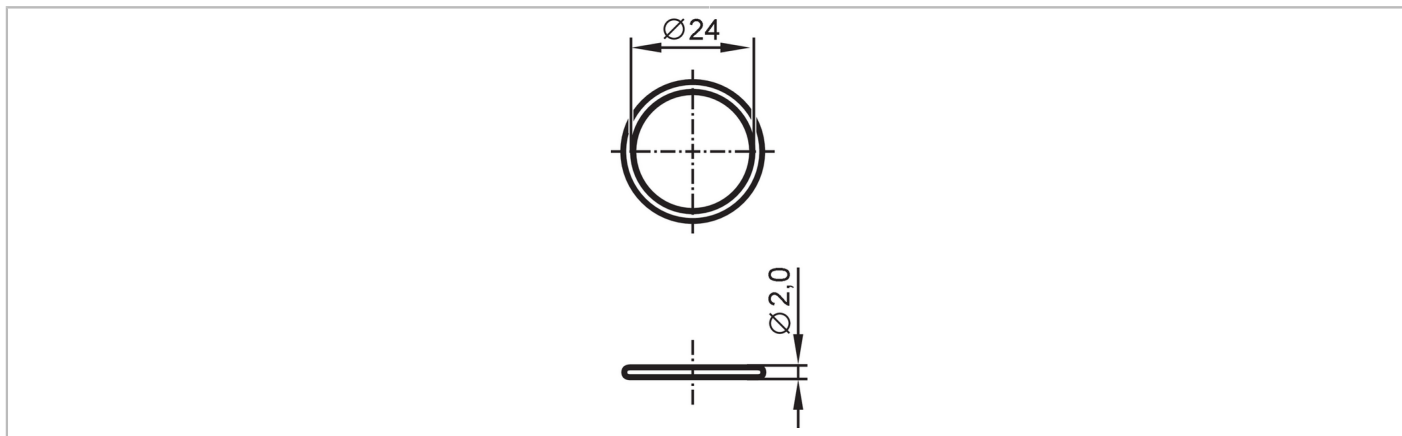


E30123



O-ring

FKM VITON O-RING



EC 1935/2004 FCM FDA

Mechanical data	
Weight [g]	0.528
Inside diameter [mm]	24
Outer diameter [mm]	28
Material	FKM
Remarks	
Pack quantity	1 pcs.