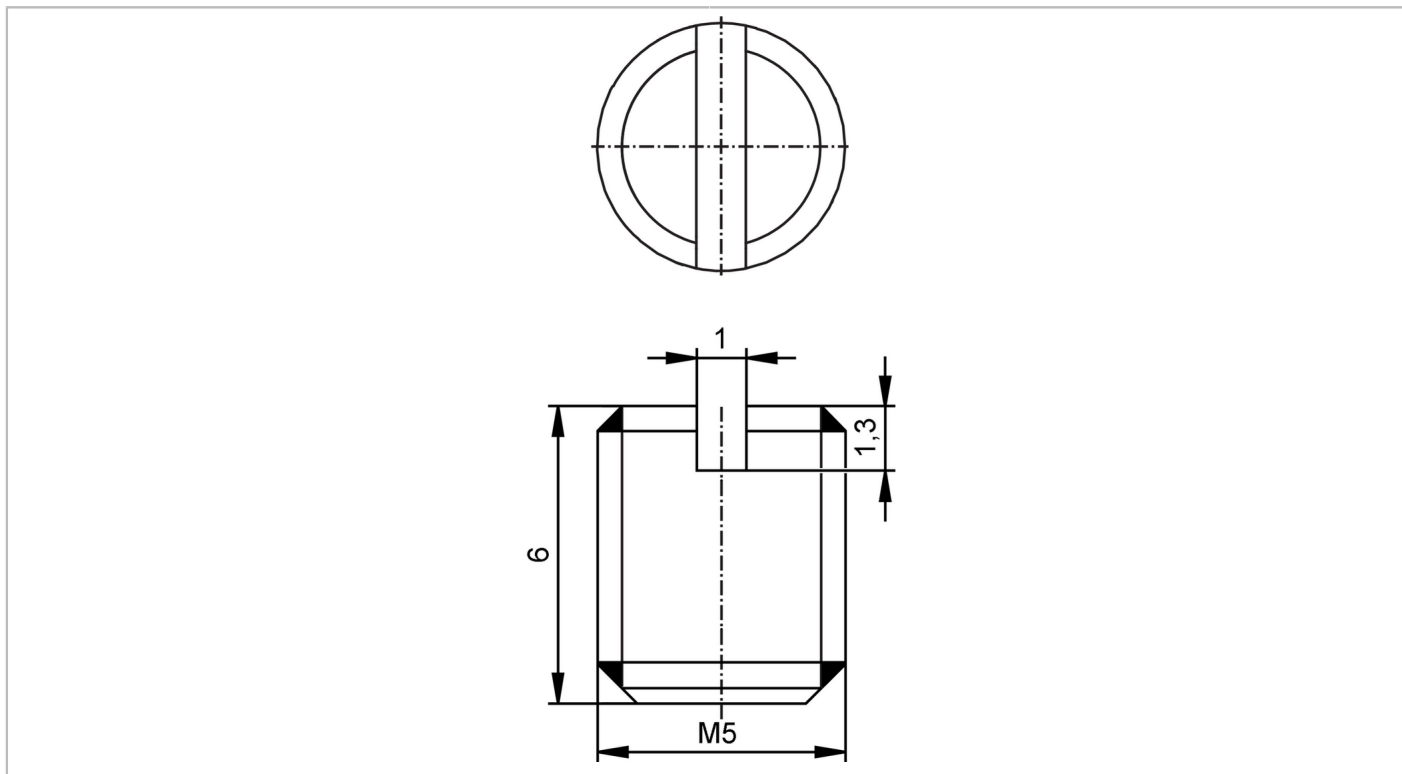


E30057



Damping screw for pressure sensors

DAMPING SCREW



Application	
Design	for pressure sensors with M5 internal thread
Mechanical data	
Weight [g]	3.4
Material	stainless steel (1.4305 / 303)
Remarks	
Pack quantity	1 pcs.