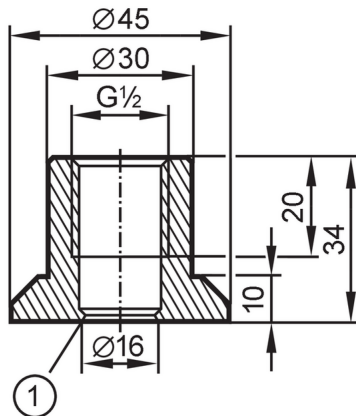


# E30056



## Welding adapter for process sensors

ADAPT G1/2-WELDING SHOULDER



1 Sealing edge

CRN EC 1935/2004

FCM

FDA

Hygienic Cleanable

Application	
Pressure rating	50 bar 5 MPa
Note on pressure rating	for the connection sensor - adapter
MAWP (for applications according to CRN) [bar]	75
Tests / approvals	
Pressure equipment directive	A possible classification to PED depends on the application and has to be carried out by the user / operator.
Safety instructions	The compatibility between medium and product material has to be checked in all applications.
Mechanical data	
Weight [g]	190
Materials (wetted parts)	stainless steel (1.4435 / 316L)
Sensor connection	G 1/2 sealing cone
Process connection	Welding adapter Ø 45 mm
Remarks	
Pack quantity	1 pcs.