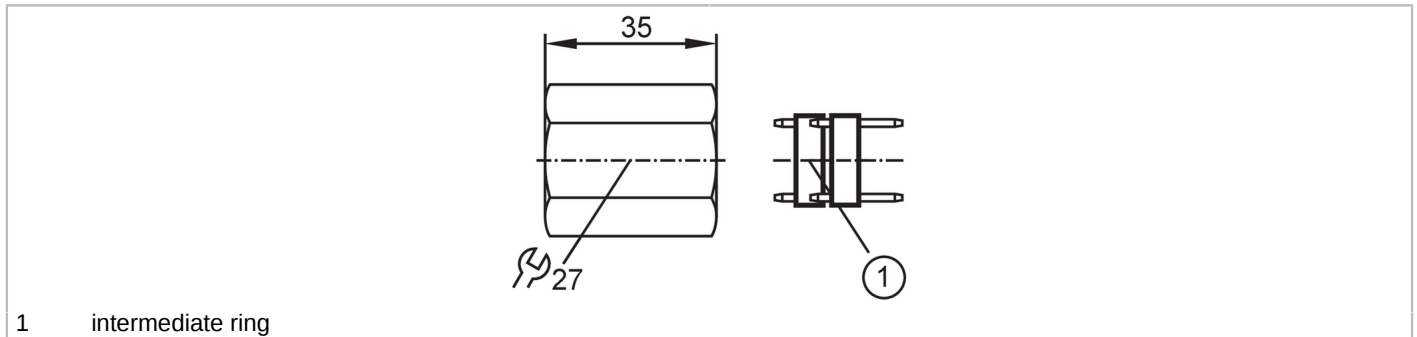


# E30017



## Mounting set for temperature sensors

MOUNTING SET



Application	
Installation	for direct connection of temperature sensor to control monitor; (TT / TR)
Mechanical data	
Weight [g]	116.5
Type of mounting	for direct connection of temperature sensor to control monitor; (TT / TR)
Material	stainless steel (1.4305 / 303)
Remarks	
Pack quantity	1 pcs.