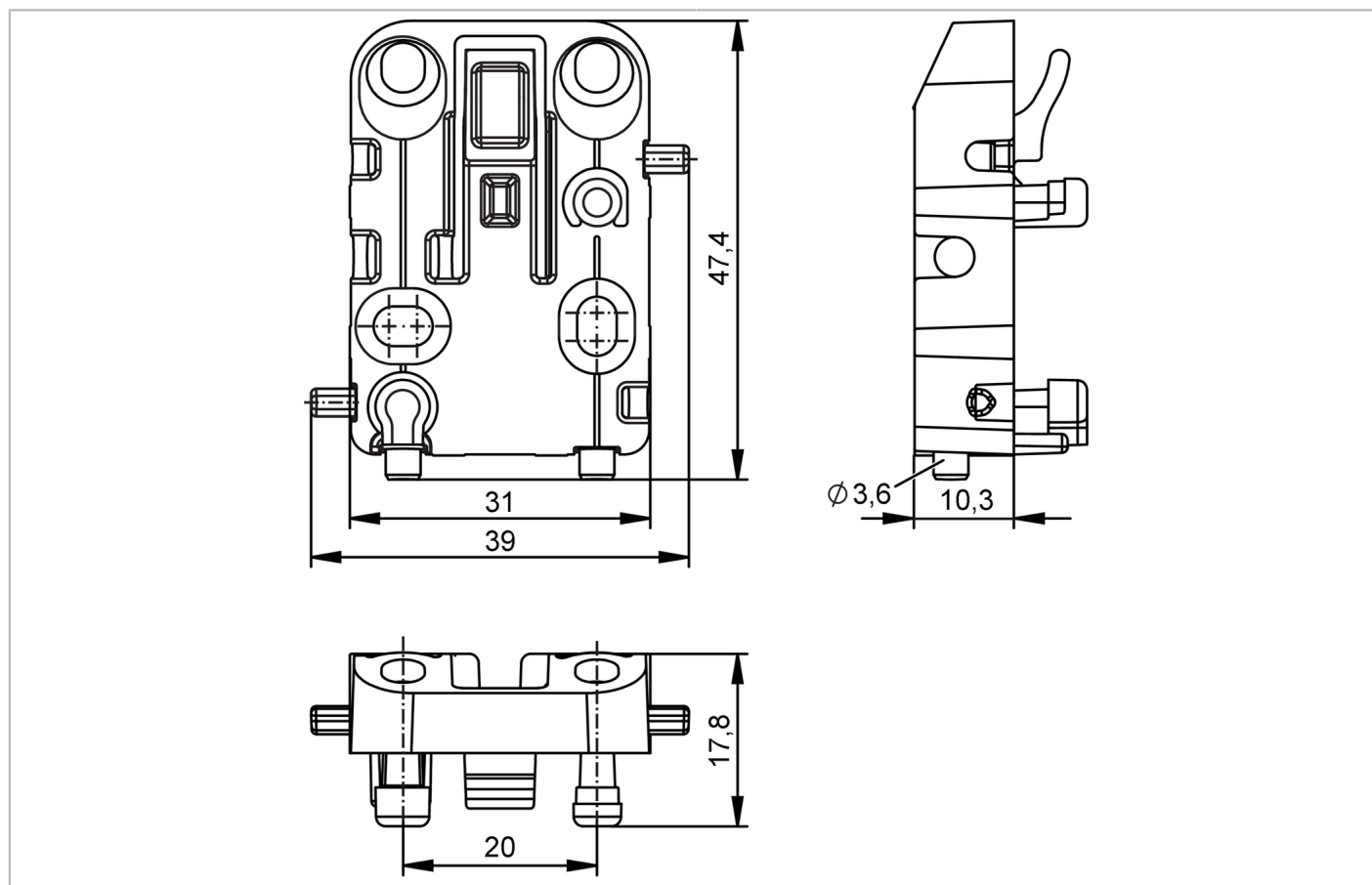


# E30576



## Wall mounting adapter

WALL MOUNT ADAPTER CUBE



Mechanical data		
Weight	[g]	10.1
Dimensions	[mm]	61.8 x 31 x 21
Materials		POM
Remarks		
Pack quantity		1 pcs.

# E30576

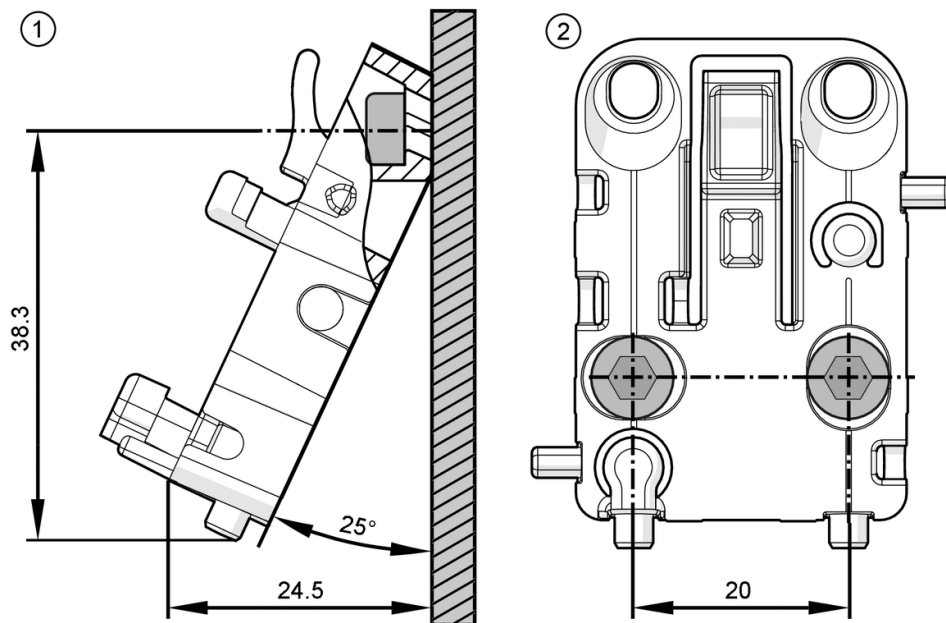


## Wall mounting adapter

WALL MOUNT ADAPTER CUBE

### Diagrams and graphs

#### Installation



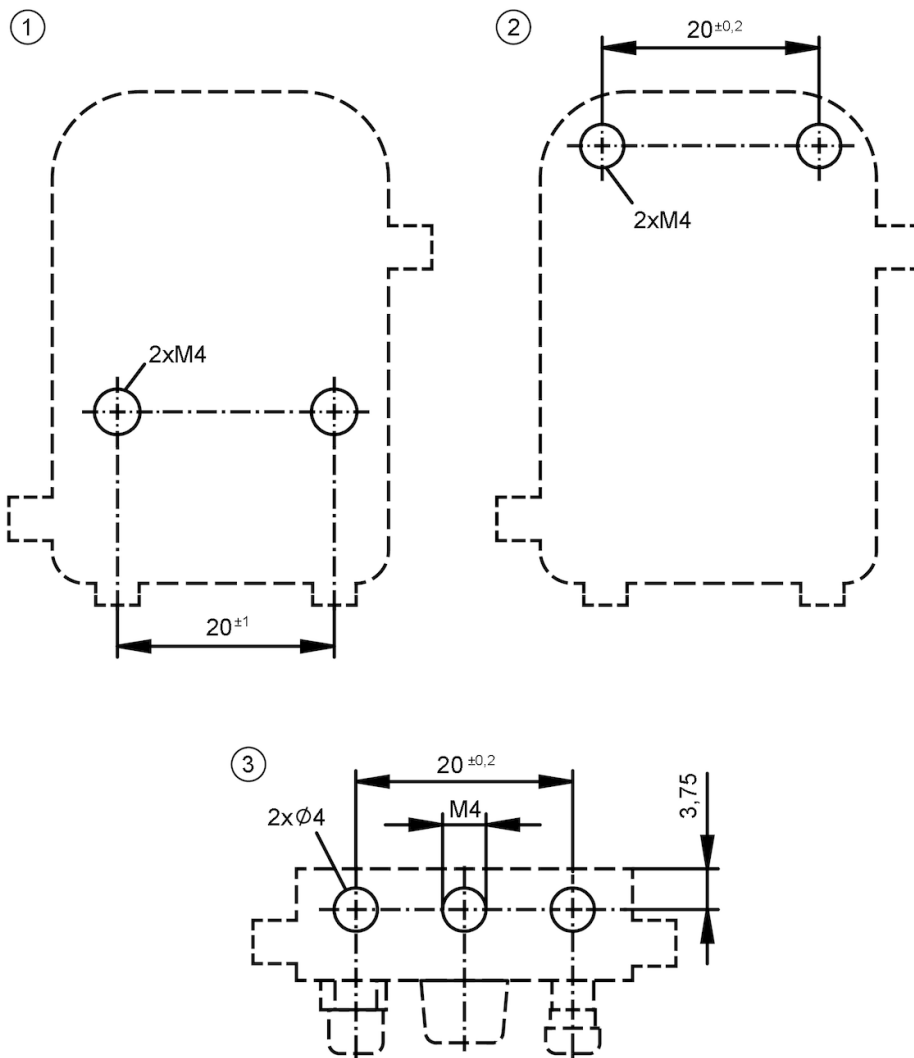
# E30576



## Wall mounting adapter

WALL MOUNT ADAPTER CUBE

drilling template



- 1: wall mounting
- 2: angled wall mounting
- 3: table mounting