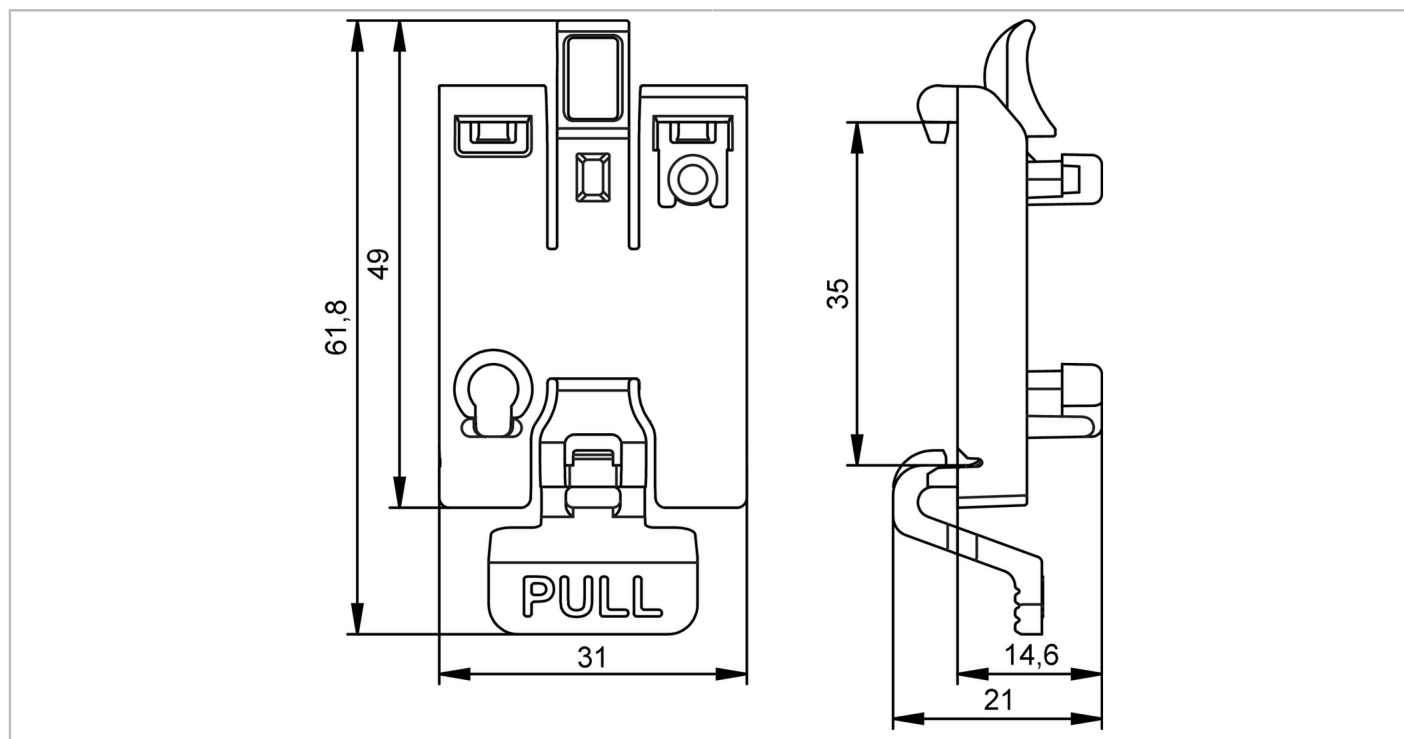


E30575



DIN rail adapter

DIN RAIL MOUNTING KIT CUBE



Mechanical data	
Weight	[g] 11.2
Dimensions	[mm] 61.8 x 31 x 21
Materials	POM
Remarks	
Pack quantity	1 pcs.