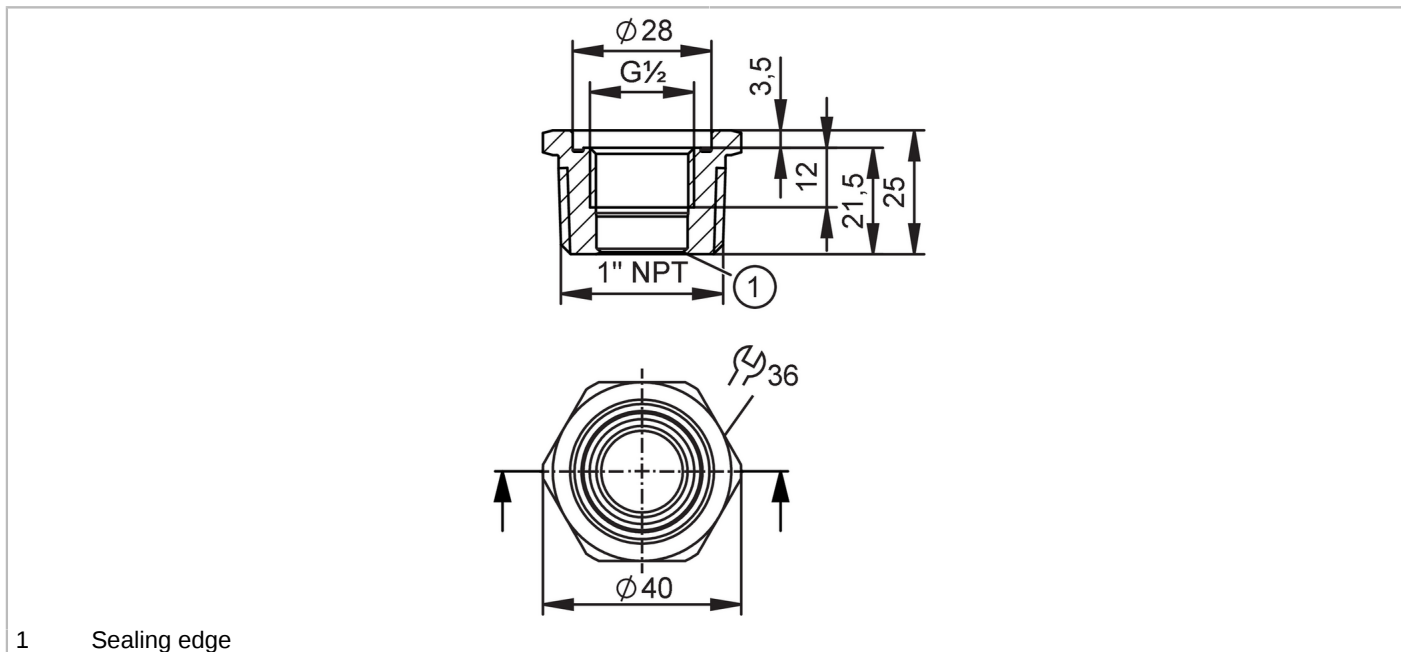


# E30516



## Screw-in adapter for process sensors

ADAPT G1/2 / 1NPT



1 Sealing edge

Application	
Pressure rating	400 bar 40 MPa
Tests / approvals	
Pressure equipment directive	A possible classification to PED depends on the application and has to be carried out by the user / operator.
Safety instructions	The compatibility between medium and product material has to be checked in all applications.
Mechanical data	
Weight [g]	131.6
Material	stainless steel (1.4435 / 316L)
Sensor connection	G 1/2 - 21 mm
Process connection	threaded connection 1" NPT
Remarks	
Pack quantity	1 pcs.