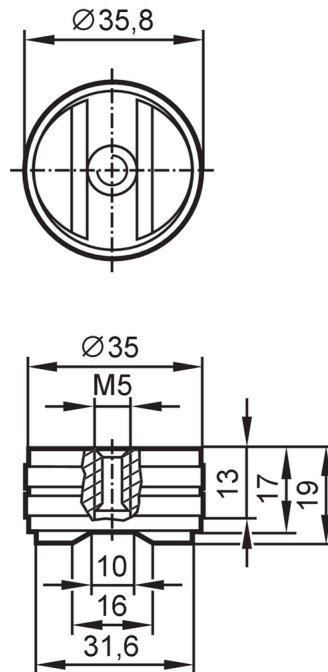


E30491



Magnetic mount for vibration sensors

MAGNETIC MOUNT M5 FOR VIBRATION SYSTEMS



Application	
Design	for efector octavis
Operating conditions	
Ambient temperature [°C]	-40...80
Mechanical data	
Weight [g]	161.1
Material	magnet: neodymium nickel-plated; pole pieces: steel galvanized
Sensor connection	M5 Internal thread
Pull strength [N]	390
Remarks	
Pack quantity	1 pcs.