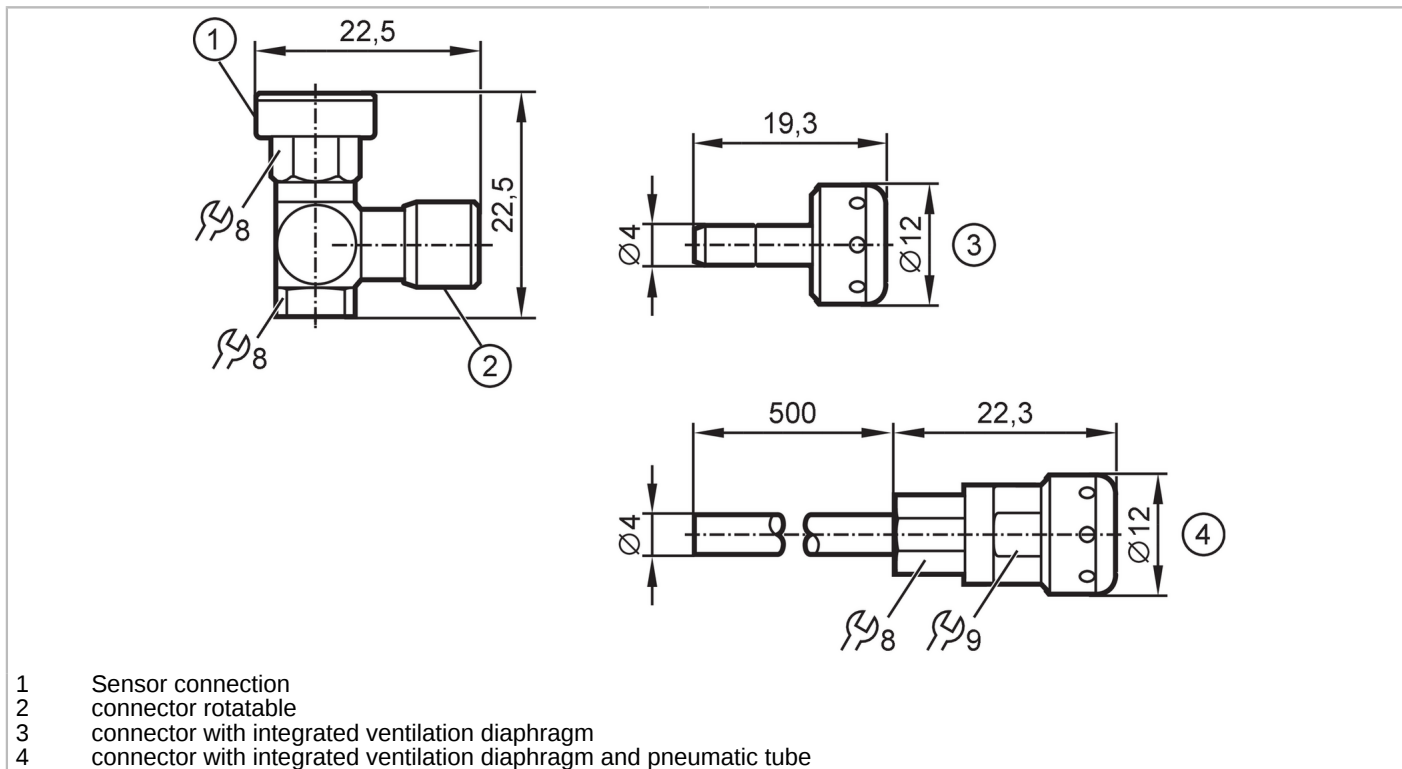


# E30467



## Filter cover for pressure sensors

HOSE BARB COVER FILTER SYSTEM



Mechanical data	
Weight	[g] 44.4
Material	stainless steel (1.4404 / 316L); stainless steel (1.4301 / 304); stainless steel (1.4307 / 304L); FKM; PE; PTFE; PU
Tightening torque	[Nm] 2.5...3.5; (recommended tightening torque)
Accessories	
Items supplied	Filter cover including ventilation diaphragm and O-ring tubing: 0,5 m, Polyurethan
Remarks	
Pack quantity	1 pcs.