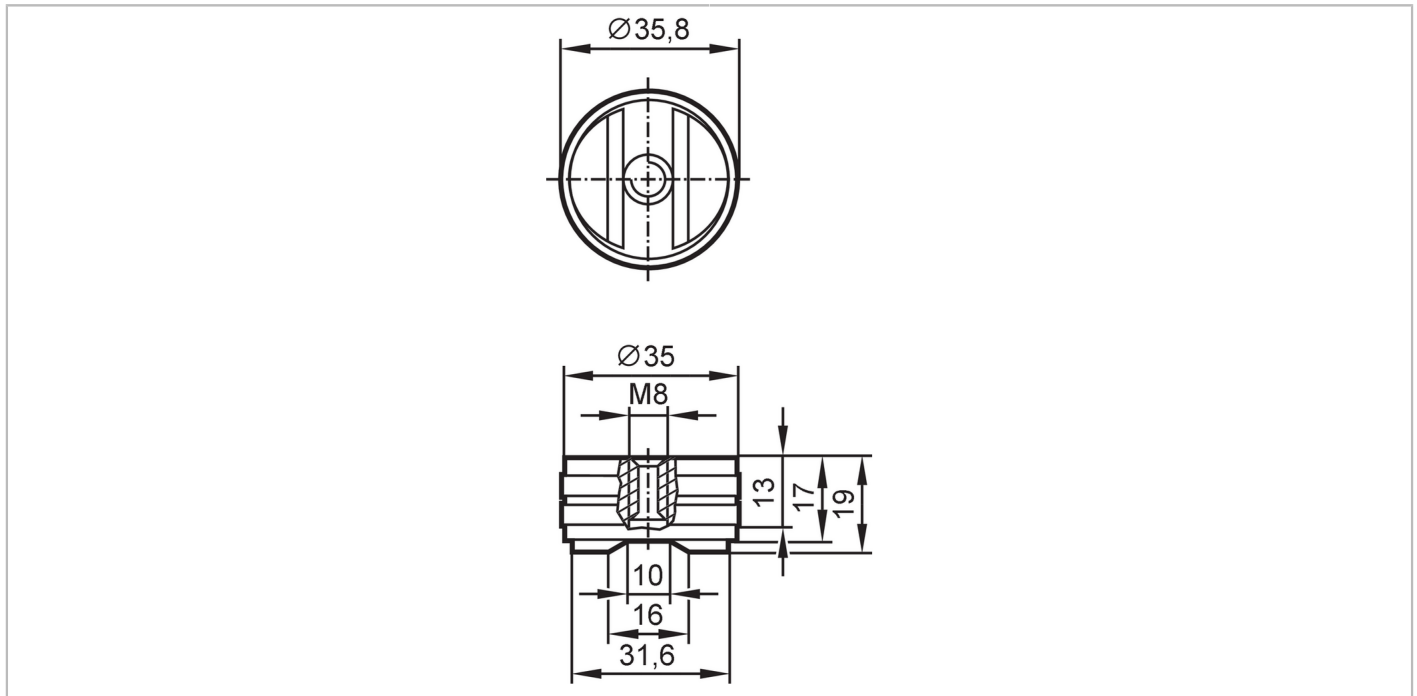


E30448



Magnetic mount for vibration sensors

MAGNETIC MOUNT M8 FOR VIBRATION SYSTEMS



Application	
Design	for efector octavis
Operating conditions	
Ambient temperature [°C]	-40...80
Mechanical data	
Weight [g]	158.2
Material	magnet: neodymium nickel-plated; steel galvanized; ;
Sensor connection	M8 x 1,25 Internal thread
Pull strength [N]	350
Remarks	
Pack quantity	1 pcs.