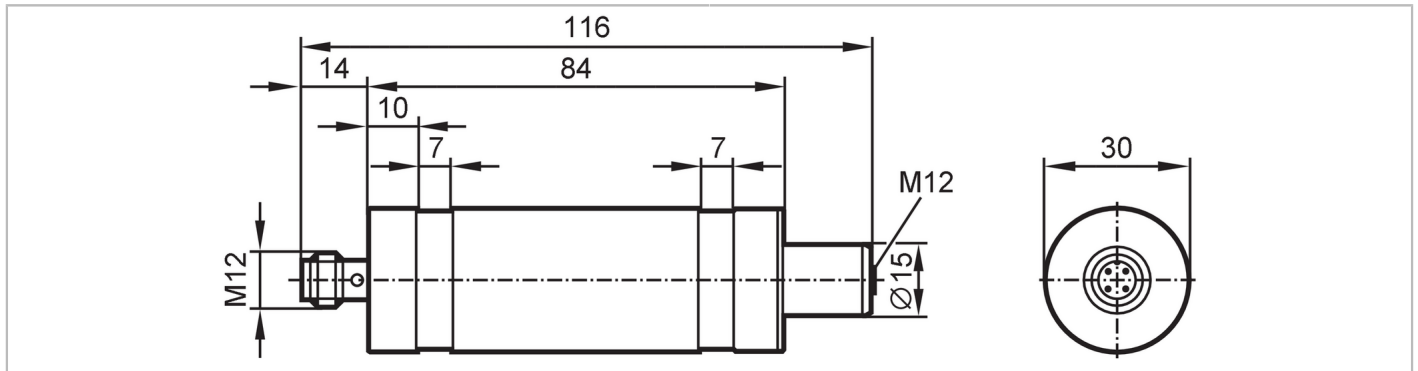


E30444



IO-Link repeater

IO-LINK REPEATER



Application							
Special feature	gold-plated contacts						
Electrical data							
Operating voltage [V]	18...30 DC						
Nominal voltage DC [V]	24						
Current consumption [mA]	< 20						
Protection class	III						
Reverse polarity protection	yes; (on the master side)						
Oversvoltage protection	yes; (integrated)						
Surge protection for voltage	<table border="1"> <tr> <td>between L-, pin 5 and ground</td> <td>between L+, signal cables and ground</td> </tr> <tr> <td>U_{max} = 45 V for surge</td> <td>U_{max} = 90 V for surge</td> </tr> <tr> <td>U_{min} = 30 V for normal operation</td> <td>U_{min} = 60 V for normal operation</td> </tr> </table>	between L-, pin 5 and ground	between L+, signal cables and ground	U _{max} = 45 V for surge	U _{max} = 90 V for surge	U _{min} = 30 V for normal operation	U _{min} = 60 V for normal operation
between L-, pin 5 and ground	between L+, signal cables and ground						
U _{max} = 45 V for surge	U _{max} = 90 V for surge						
U _{min} = 30 V for normal operation	U _{min} = 60 V for normal operation						
Surge protection for current	<table border="1"> <tr> <td>surge current</td> <td>leakage current</td> </tr> <tr> <td>I_{max} = 25 A</td> <td>I_{max} = 10 μ</td> </tr> </table>	surge current	leakage current	I _{max} = 25 A	I _{max} = 10 μ		
surge current	leakage current						
I _{max} = 25 A	I _{max} = 10 μ						
Power-on delay time [s]	< 2; (per repeater)						
Current rating per port [A]	0.84; (Port Class A; Port Class B: 2)						
Delay time acyclic data	up to 2 cycles; (per repeater)						
Delay time process data	up to 1 cycle; (per repeater)						
Interfaces							
Communication interface	IO-Link						
Unterstützte IO-Link Revision	1.0; 1.1						
Unterstützte Masterportklasse	A / B						
Transmission type	COM1 (4,8 kBaud); COM2 (38,4 kBaud); COM3 (230,4 kBaud)						
SDCI standard	IEC 61131-9						
SIO mode	no						
Operating conditions							
Ambient temperature [°C]	-25...65						
Storage temperature [°C]	-40...85						
Protection	IP 68; IP 69K; (7 days / 3 m water depth / 0.3 bar: IP 68)						
Tests / approvals							
EMC	<table border="1"> <tr> <td>DIN EN 61000-6-2</td> <td></td> </tr> <tr> <td>DIN EN 61000-6-4</td> <td>in plastic or open metal tanks</td> </tr> </table>	DIN EN 61000-6-2		DIN EN 61000-6-4	in plastic or open metal tanks		
DIN EN 61000-6-2							
DIN EN 61000-6-4	in plastic or open metal tanks						

E30444



IO-Link repeater

IO-LINK REPEATER

Shock resistance	DIN EN 60068-2-27	50 g (11 ms)
Vibration resistance	DIN EN 60068-2-6	20 g (10...2000 Hz)
MTTF [years]		409
UL approval	File number UL	E205959

Mechanical data

Weight [g]	212
Material	stainless steel (1.4404 / 316L); PEI; PA fiber-reinforced; FKM; Grounding clamp: stainless steel (1.4301 / 304)

Displays / operating elements

Display		1 x LED
	Power	green
	IO-Link	green
	fault	red

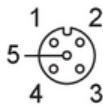
Remarks

Remarks	For information on the maximum cable length please refer to the operating instructions. functional grounding via premounted grounding clamp for further information please see the operating instructions
Pack quantity	1 pcs.

Electrical connection

Electrical connection - Socket

Connector: 1 x M12; coding: A; Contacts: gold-plated



Port Class A

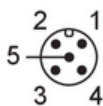
1	L+
2	bridged , electrically isolated
3	L-
4	C: IO-Link
5	bridged , electrically isolated

Port Class B

1	L+
2	P24
3	L-
4	C: IO-Link
5	N24

Electrical connection - plug

Connector: 1 x M12; coding: A; Contacts: gold-plated



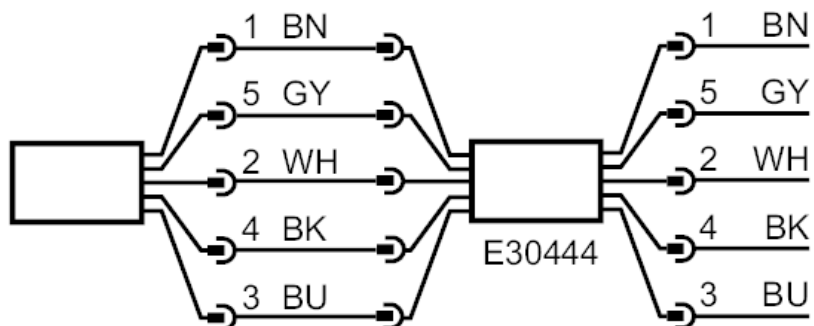
E30444



IO-Link repeater

IO-LINK REPEATER

Connection



BK: black
BN: brown
BU: blue
WH: white
GY: grey
Colors to DIN EN 60947-5-2

Port Class A

1	L+
2	bridged , electrically isolated
3	L-
4	C: IO-Link
5	bridged , electrically isolated

Port Class B

1	L+
2	P24
3	L-
4	C: IO-Link
5	N24