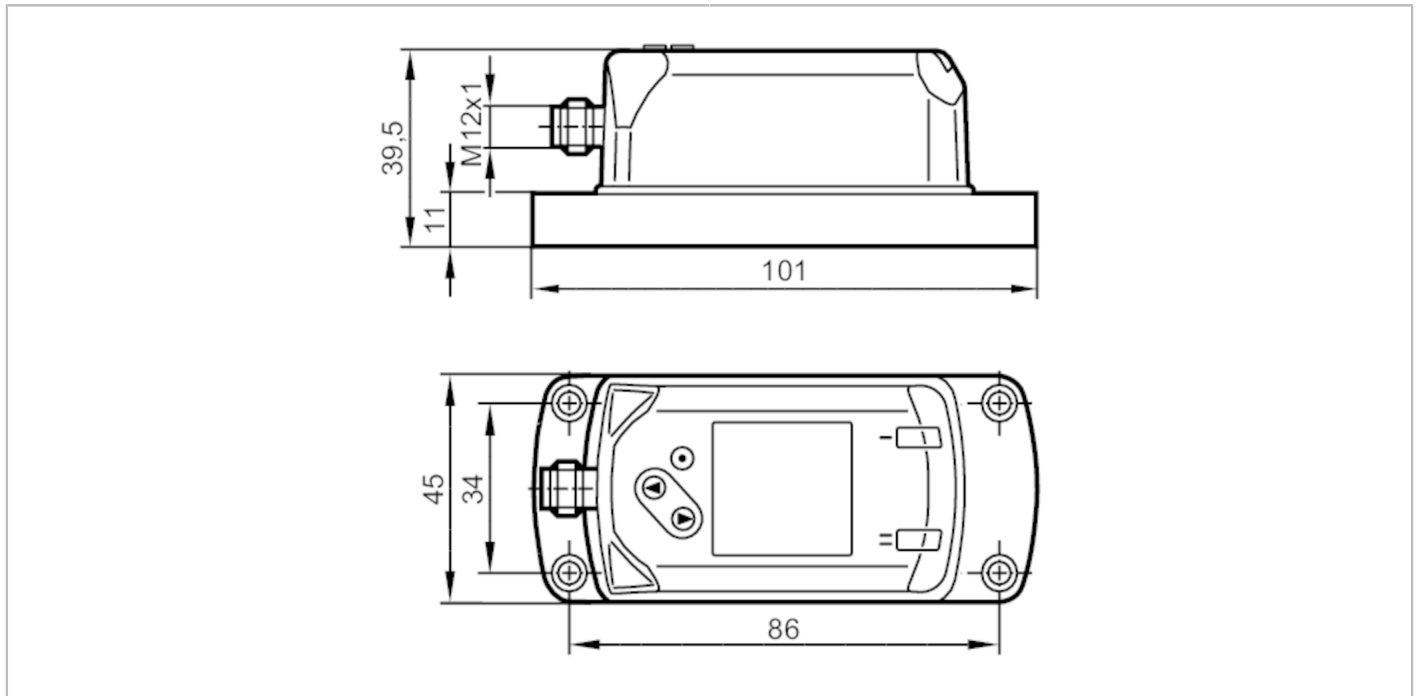


E30430



IO-Link display

IO-LINK INLINE DISPLAY 1,44"



Application	
Special feature	gold-plated contacts
Application	display of all process values of a connected sensor
Electrical data	
Operating voltage [V]	18...30 DC
Current consumption [mA]	< 47
Min. insulation resistance [MΩ]	100; (500 V DC)
Protection class	III
Reverse polarity protection	yes
Software / programming	
Parameter setting options	display, indication
Interfaces	
Communication interface	IO-Link
Transmission type	COM2 (38,4 kBaud)
IO-Link revision	1.1
SDCI standard	IEC 61131-9
Profiles	Smart Sensor - SSP 0 Generic Profiled Sensor
Function	Device identification
Function	Process data variable
Function	Device diagnosis
SIO mode	no
Required master port class	A
Min. process cycle time [ms]	11.2
Supported DeviceIDs	Type of operation default
	DeviceID 694

E30430



IO-Link display

IO-LINK INLINE DISPLAY 1,44"

Operating conditions		
Ambient temperature	[°C]	-10...60
Storage temperature	[°C]	-20...80
Protection		IP 65; IP 67
Tests / approvals		
EMC	DIN EN 61000-6-2	
	DIN EN 61000-6-4	
Shock resistance	DIN EN 60068-2-27	5 g (11 ms)
Vibration resistance	DIN EN 60068-2-6	5 g (10...50 Hz)
MTTF	[years]	397
Mechanical data		
Weight	[g]	204
Housing		rectangular
Dimensions	[mm]	86 x 45 x 39.5
Material		stainless steel (1.4404 / 316L); PC; PBT-GF30; PPS; FKM
Displays / operating elements		
Display		Color display 1,44", 128 x 128 pixels
		2 x LED, yellow
Accessories		
Items supplied		Y-splitters:, E12481
Remarks		
Pack quantity		1 pcs.
Electrical connection		
Connector: 1 x M12; Contacts: gold-plated		