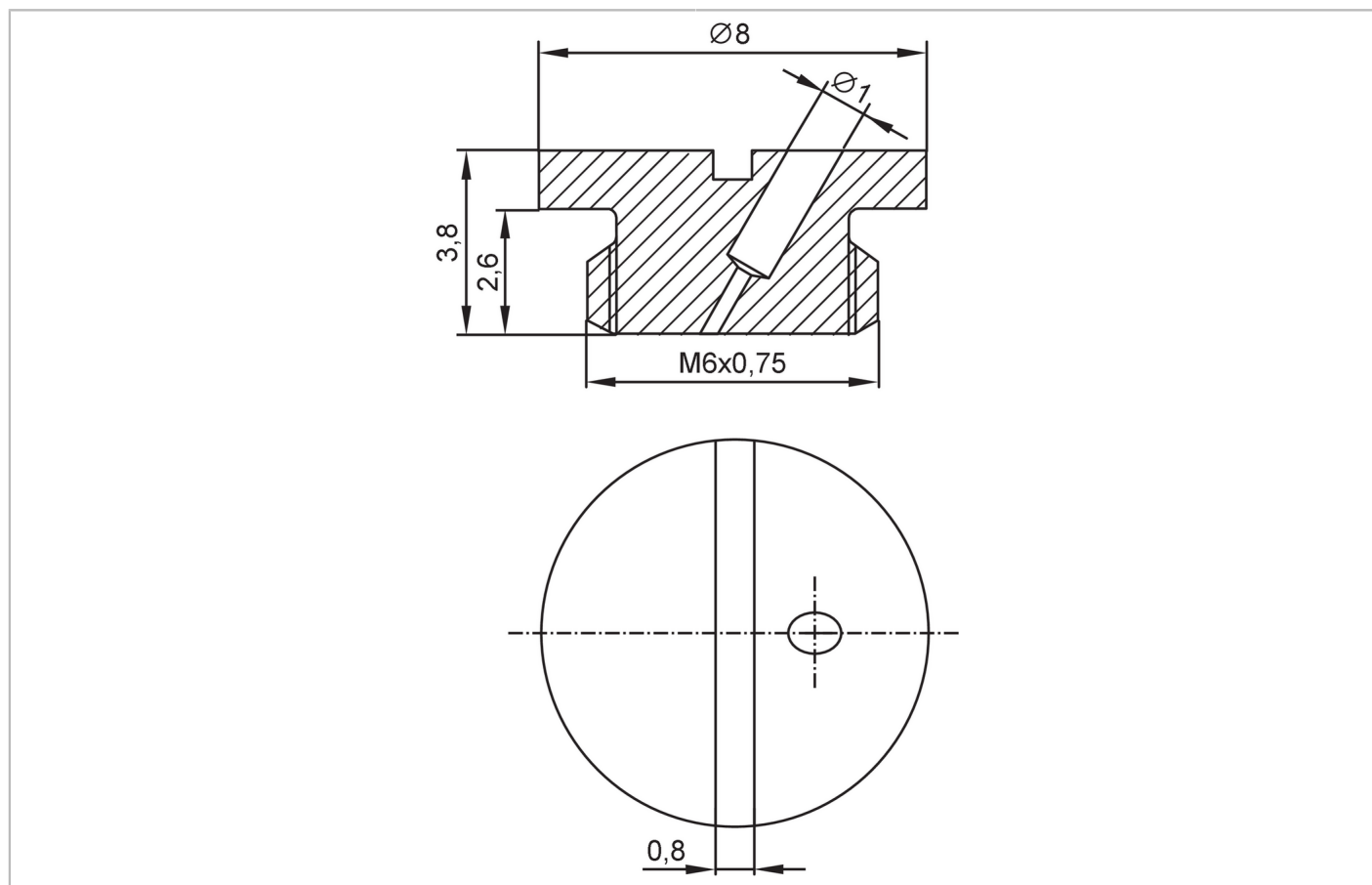


E30419



Damping screw for pressure sensors

DAMPING SCREW 0,30 PN NEXT



Mechanical data	
Weight	[g] 3.7
Material	stainless steel (1.4404 / 316L)
Remarks	
Pack quantity	1 pcs.