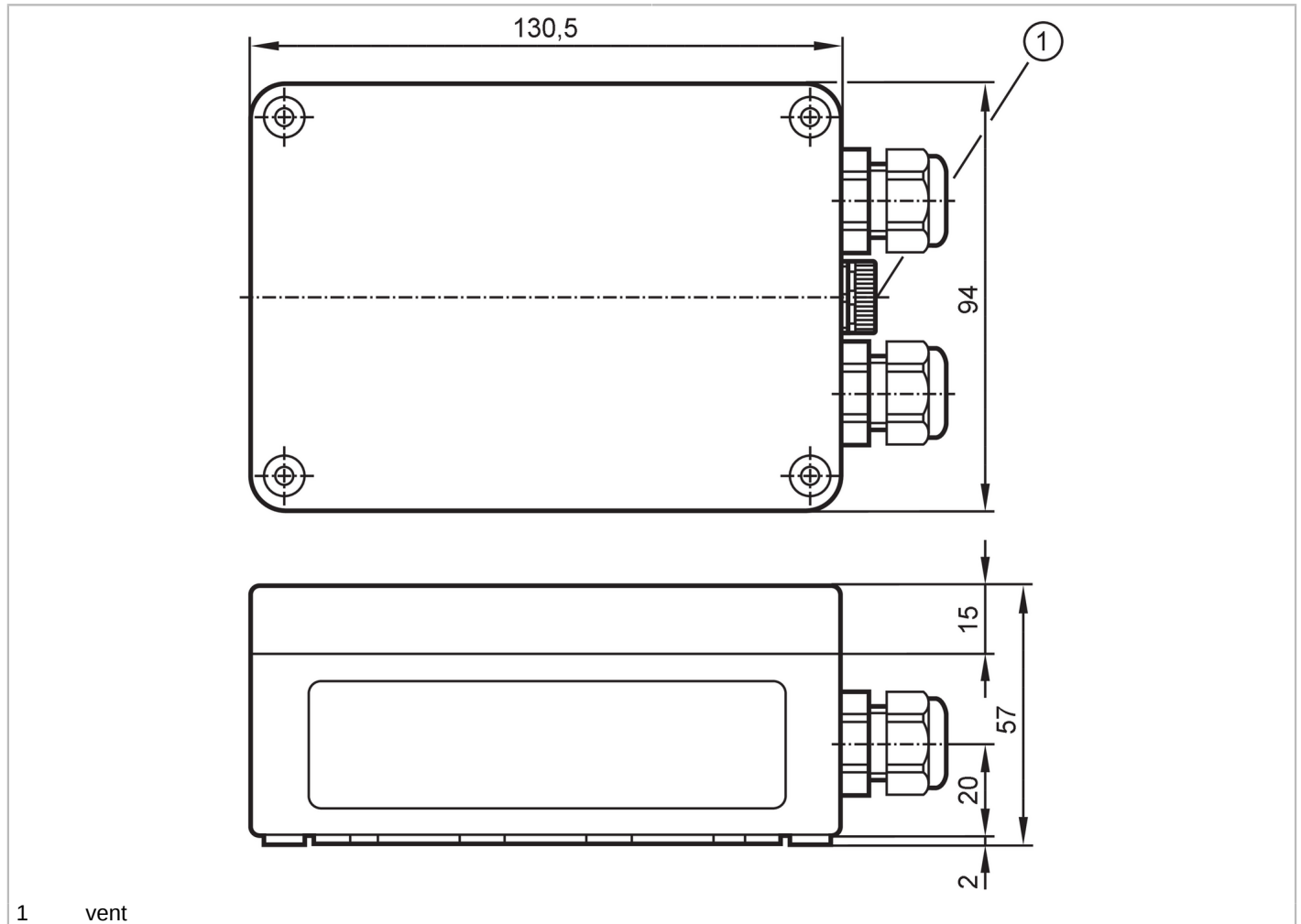


E30401



Splitter box

JUNCTION BOX WITH VENTILATION



1 vent

Application

Design for submersible pressure transmitter, PS3, PS4

Operating conditions

Protection IP 67

Mechanical data

Weight [g] 275.2

Material plastics

Remarks

Pack quantity 1 pcs.