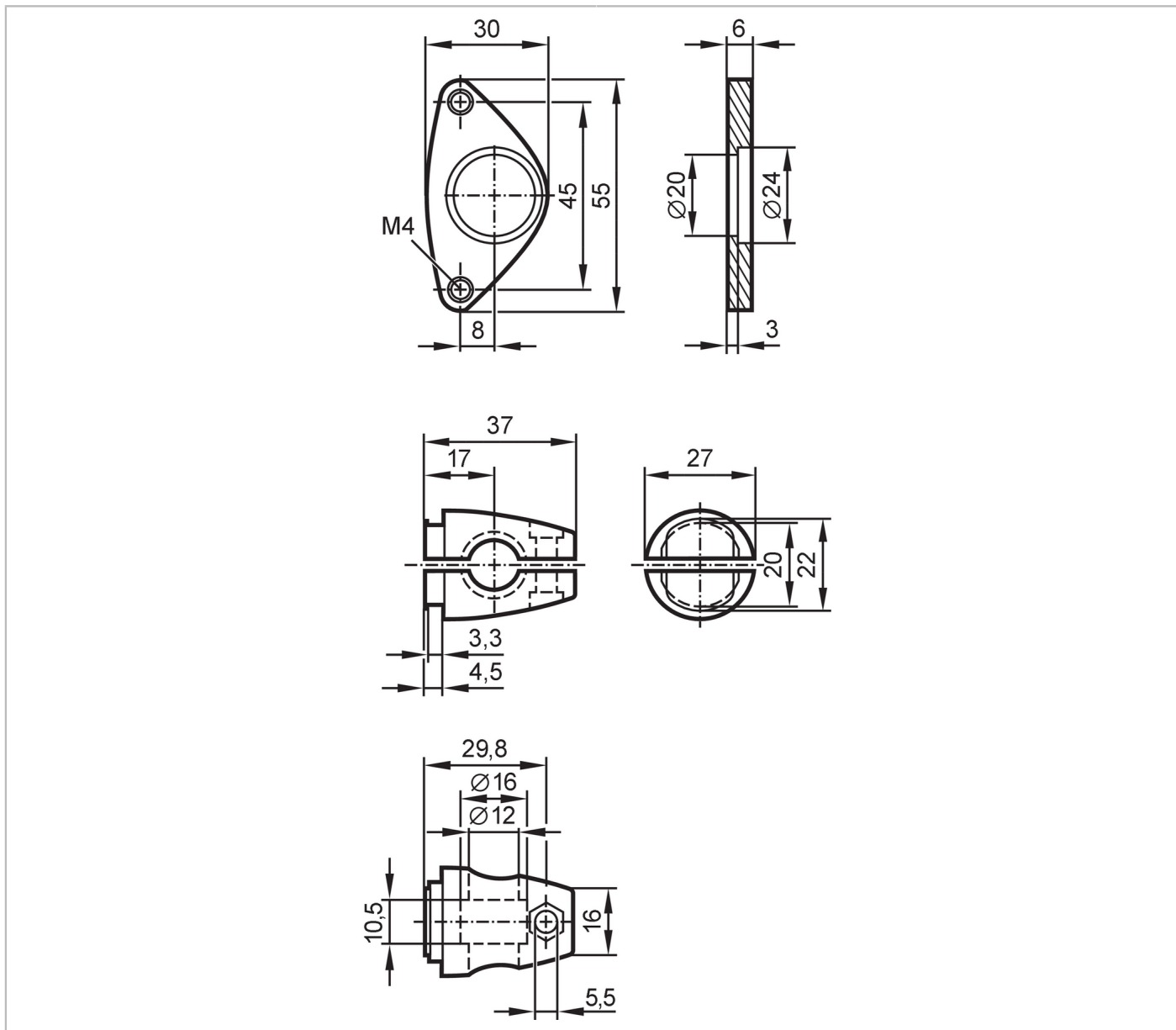


E2D110



Mounting set for vision sensors

MOUNTING SET VISION SENSOR



Application	
Design	Clamp mounting
Mechanical data	
Weight [g]	130
Type of mounting	Mounting rod; (Ø 12 mm)
Material	fixture: stainless steel (1.4301 / 304); Clamp: stainless steel (1.4408)
Remarks	
Pack quantity	1 pcs.