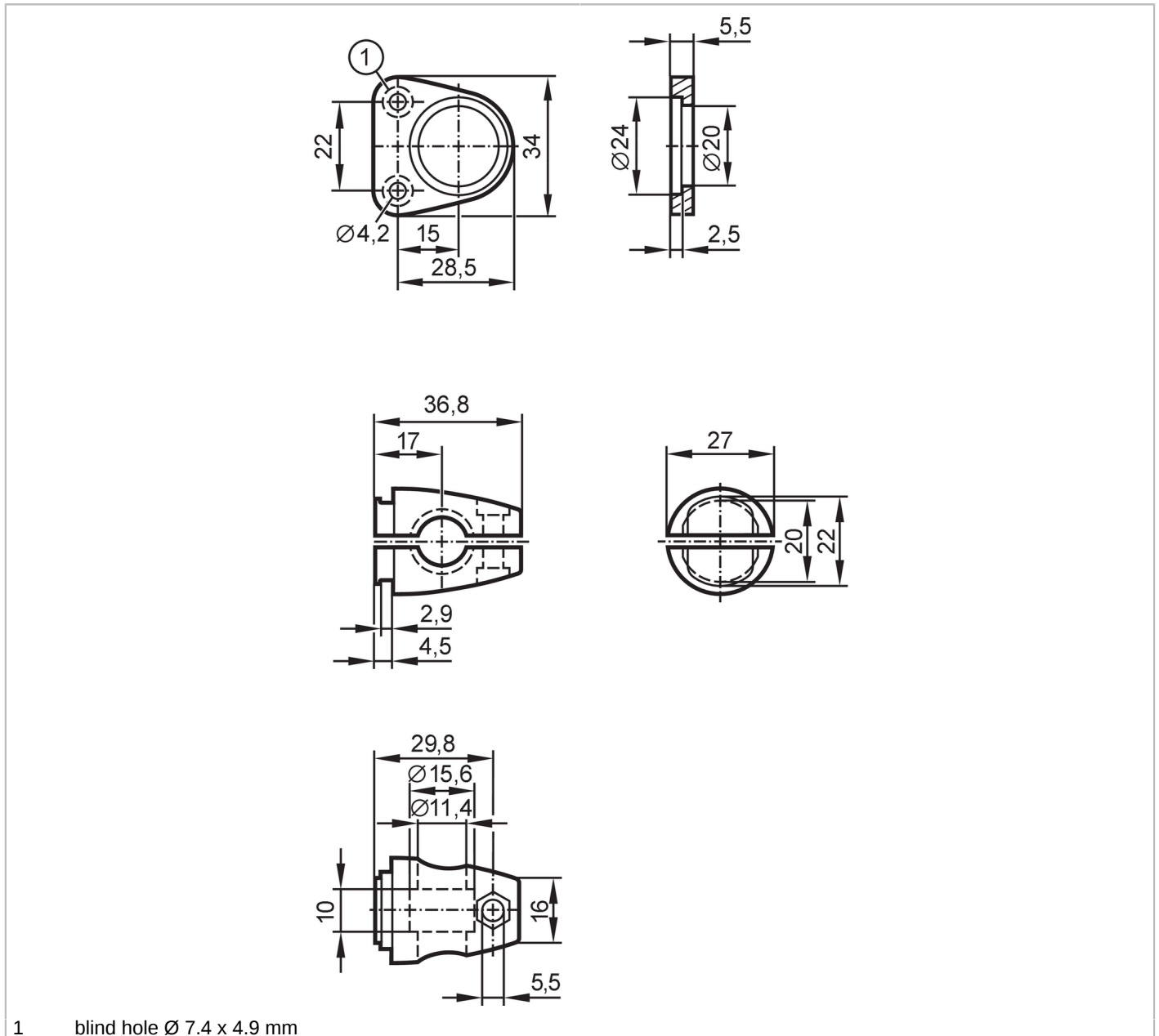


E2D500



Mounting set

Mounting Set Compact Cam



Application	
Design	Clamp mounting O2D5, for types O2I5
Mechanical data	
Weight [g]	112.5
Type of mounting	Mounting rod; (Ø 12 mm)
Material	Clamps: stainless steel (1.4404 / 316L); cylinder screws: hot galvanized M4 x 8; Assembly angle: stainless steel (1.4301 / 304)
Accessories	
Items supplied	head cap screw: 1 x (M5 x 16 mm)
	Clamps: 2
	cylinder screws: 2 x (M4 x 8 mm)
	Assembly angle: 1
	Hexagon nut: 1 x M5

E2D500



Mounting set

Mounting Set Compact Cam

Remarks

Pack quantity	1 pcs.
---------------	--------