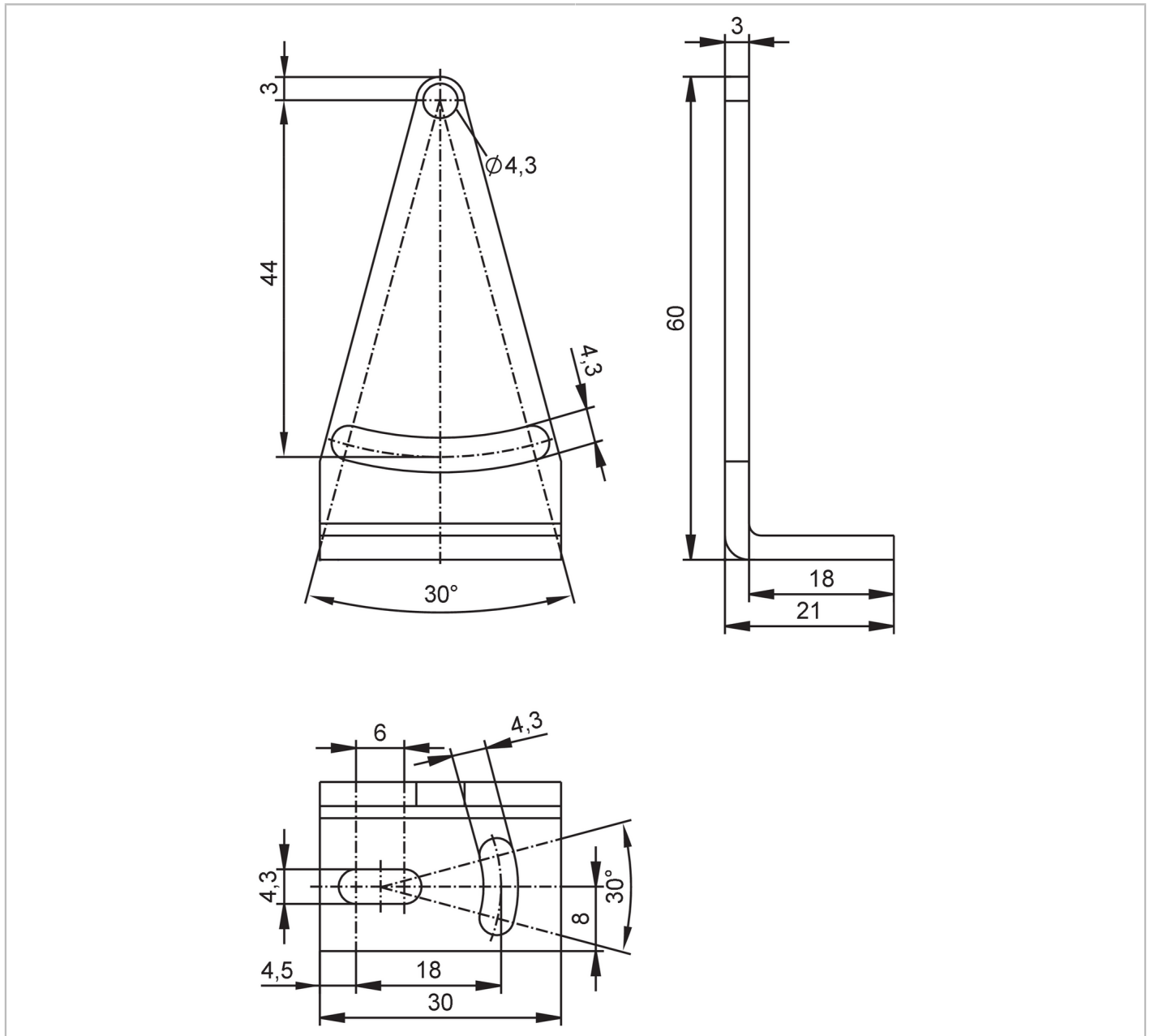


# E21336



## Angle bracket

OMH STANDARD BRACKET



Application	
Design	for types OMH
Mechanical data	
Weight [g]	46.3
Dimensions [mm]	60 x 30 x 21
Material	steel sheet: stainless steel (1.4305 / 303)
Accessories	
Items supplied	cylinder screws: 2 x (M4 x 38 mm) Nuts: 2 x M4 washers: 6 x for M4 screws cylinder screws: 2 x (M4 x 9 mm)
Remarks	
Pack quantity	1 pcs.