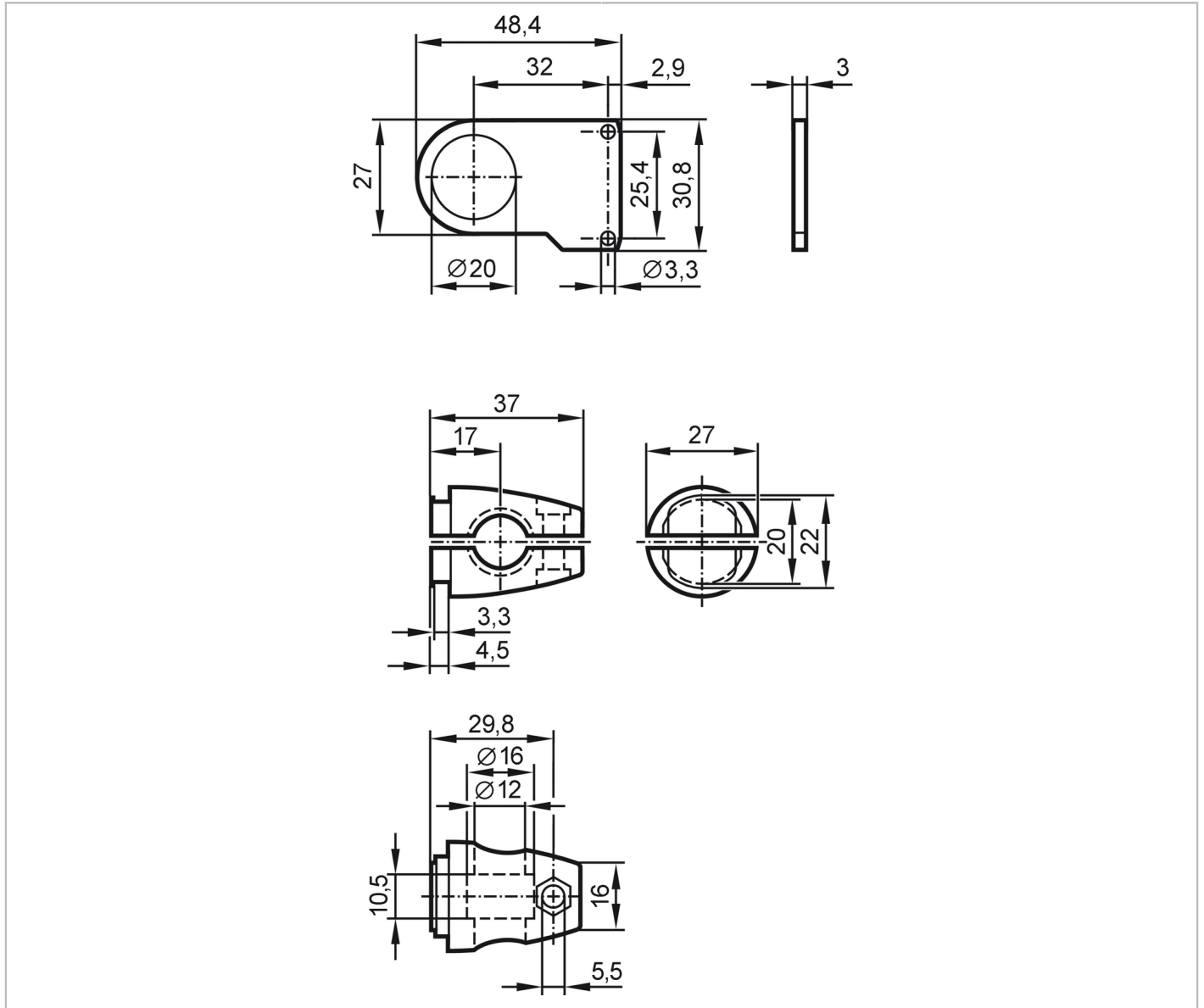


# E21275



## Mounting set for photoelectric sensors

O6 CLAMP BRACKET 12 MM



Application	
Design	Clamp mounting, for types, O6
Mechanical data	
Weight [g]	105.8
Type of mounting	Mounting rod; ( $\varnothing 12$ mm)
Dimensions [mm]	30.8 x 3 x 48.4
Material	stainless steel (1.4571/316Ti)
Accessories	
Items supplied	cylinder screws: 2 x (M3 x 14 mm) Clamp: 1 head cap screw: 1 Nut: 1 x M4
Remarks	
Pack quantity	1 pcs.