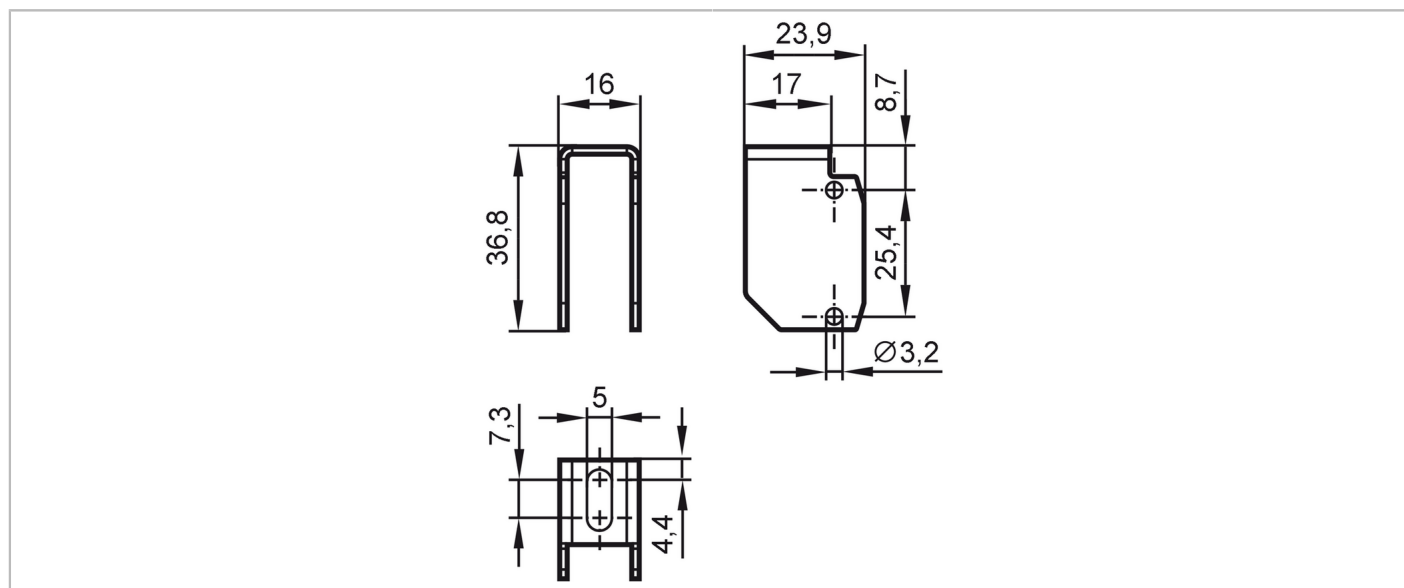


E21273



Protective cover

O6 PROTECTIVE BRACKET ROD



Mechanical data	
Weight	[g] 25.5
Dimensions	[mm] 36.8 x 16 x 23.9
Material	stainless steel (1.4571/316Ti)
Accessories	
Items supplied	cylinder screws: 2 x (M3 x 14 mm)
Remarks	
Pack quantity	1 pcs.