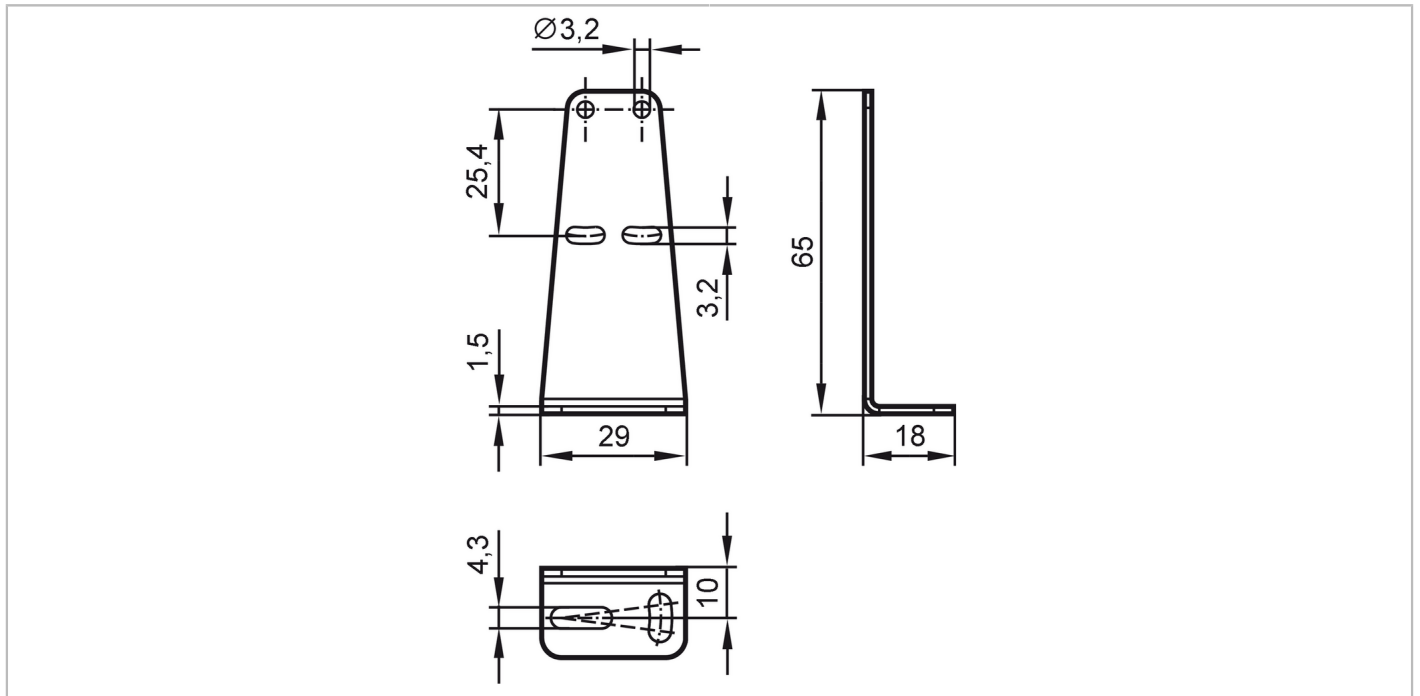


E21271



Angle bracket

O6 STANDARD BRACKET



Application

Design for types O6

Mechanical data

Weight [g] 27.2
Dimensions [mm] 65 x 18 x 29
Material stainless steel (1.4571/316Ti)

Accessories

Items supplied cylinder screws: 2 x (M3 x 14 mm)
washers: 2

Remarks

Pack quantity 1 pcs.