

E21239

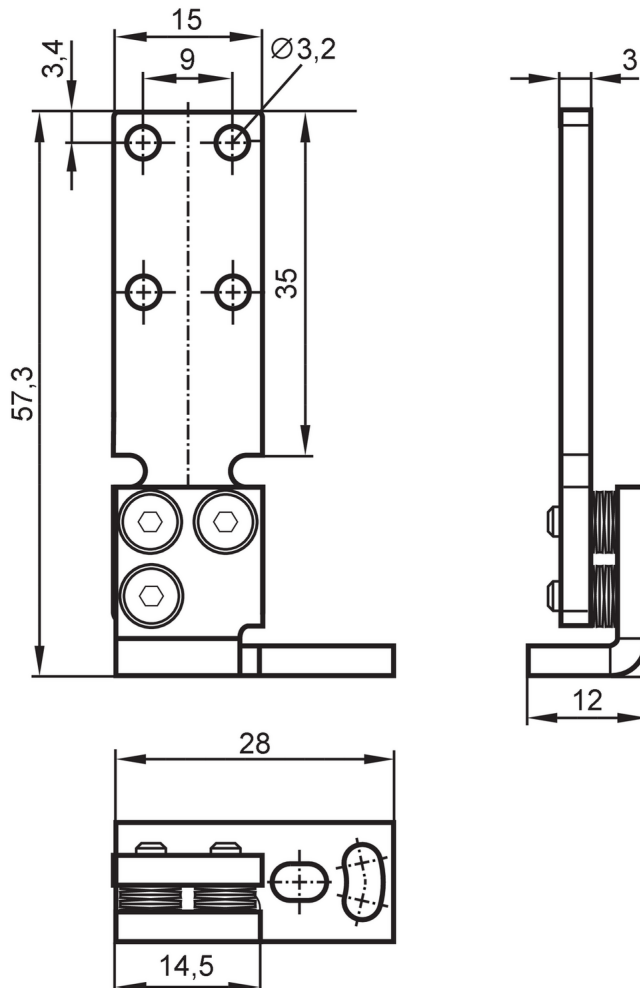


Mounting and fine adjustment bracket

FIXTURE FOR FINE ADJUSTMENT

Article to be discontinued

Discontinuation date: 03/31/2026



Application	
Design	for types O7
Installation	Free-standing mounting; (with fine adjustment)
Mechanical data	
Weight [g]	38.5
Type of mounting	free-standing
Dimensions [mm]	57.3 x 12 x 28
Material	fixture: stainless steel; Spring: spring steel; screws: stainless steel
Accessories	
Items supplied	screws: 2
Remarks	
Pack quantity	1 pcs.