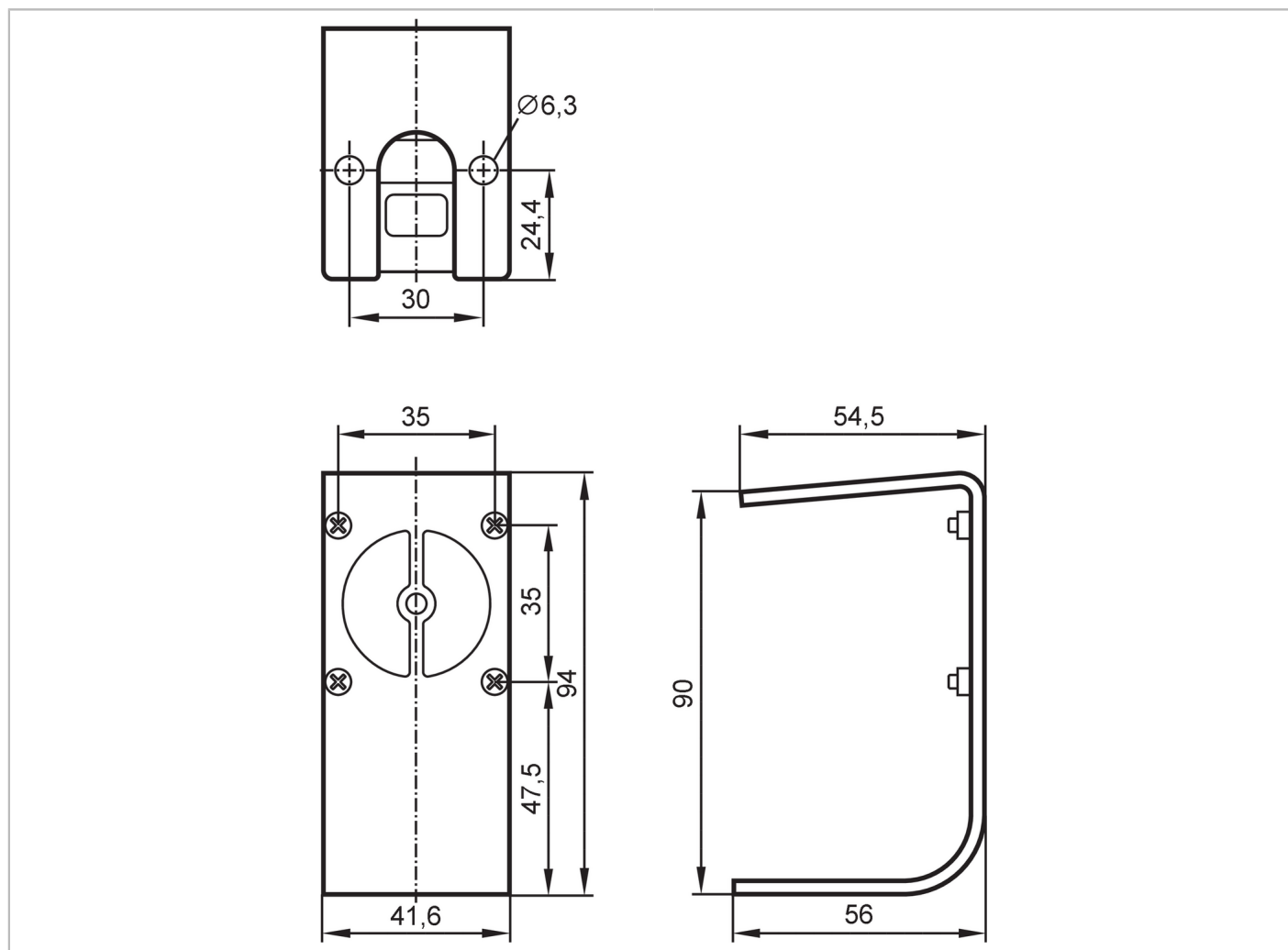


E21236



Protective bracket for distance measurement sensors

PROTECTIVE BRACKET FOR O1D



Mechanical data	
Weight	[g] 166.5
Dimensions	[mm] 90 x 56 x 41.6
Material	Angle brackets: stainless steel (1.4401 / 316); screws: stainless steel; Sleeve: PA
Remarks	
Pack quantity	1 pcs.