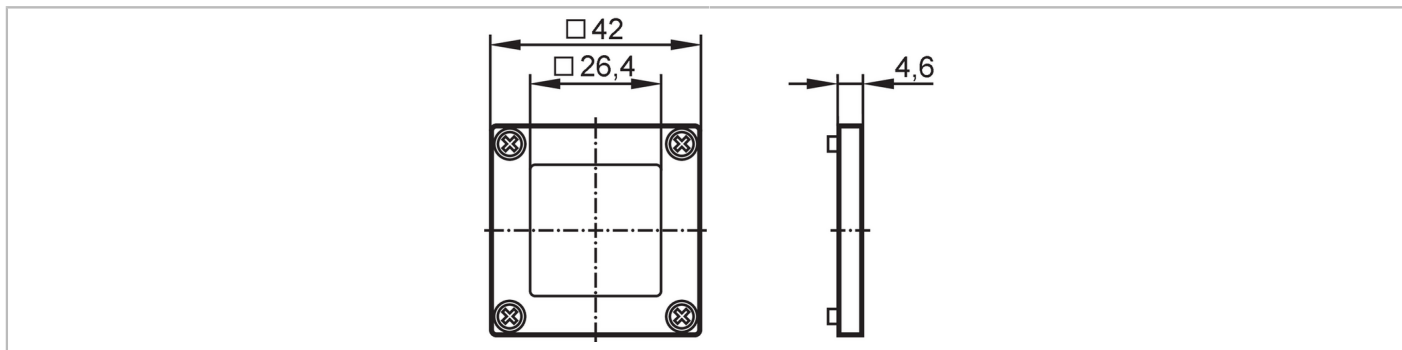


E21133



Protective cover

MASKING FRAME FOR O1D



Mechanical data	
Weight	[g] 36.2
Dimensions	[mm] 42 x 4.6 x 42
Material	Front framework: diecast zinc finish black; front lens: PMMA transparent and colorless; sealing: FPM 75 ±5 Shore A; screws: stainless steel
Accessories	
Items supplied	screws: 4 x (M3 x 8 mm)
Remarks	
Remarks	By attaching the protective cover the measured distance value can be changed by up to +5 mm. This deviation influences the specified accuracy. The repeatability remains unchanged. By soiling or scratching the window the repeatability and accuracy of the sensor can deteriorate.
Pack quantity	1 pcs.