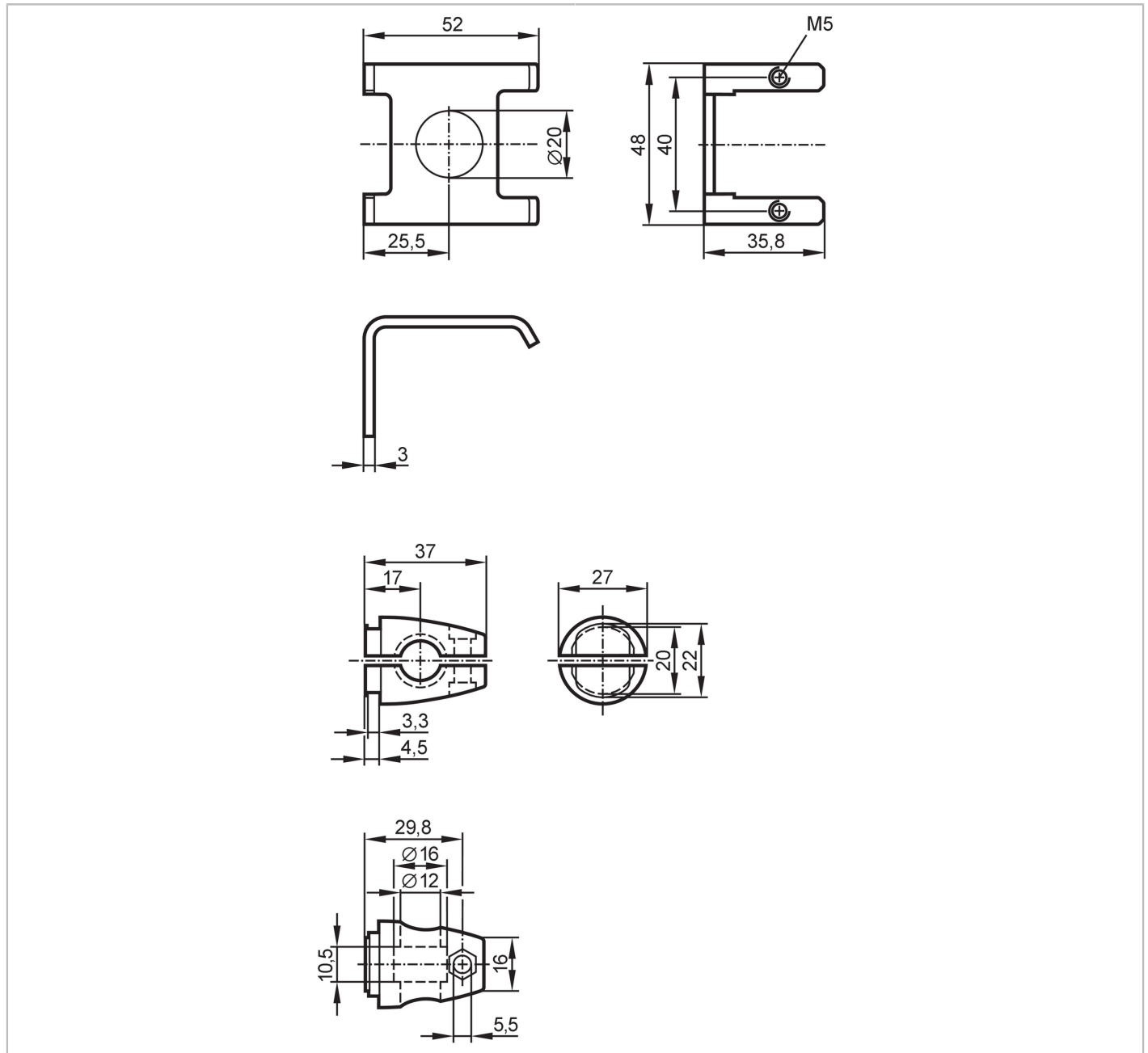


# E21118



## Mounting set for photoelectric sensors

O4 MOUNTING BRACKET ROD



Application	
Design	Clamp mounting
Mechanical data	
Weight [g]	246.5
Material	stainless steel (1.4404 / 316L); Clamp: diecast zinc
Accessories	
Items supplied	head cap screw: 1 x (M10 x 120 mm) Nuts: 2 x M10 cylinder screws: 2 x (M5 x 10 mm) Nut: 1 x M5 head cap screw: 1 x (M5 x 16 mm)

# E21118



## Mounting set for photoelectric sensors

O4 MOUNTING BRACKET ROD

Remarks	
Pack quantity	1 pcs.