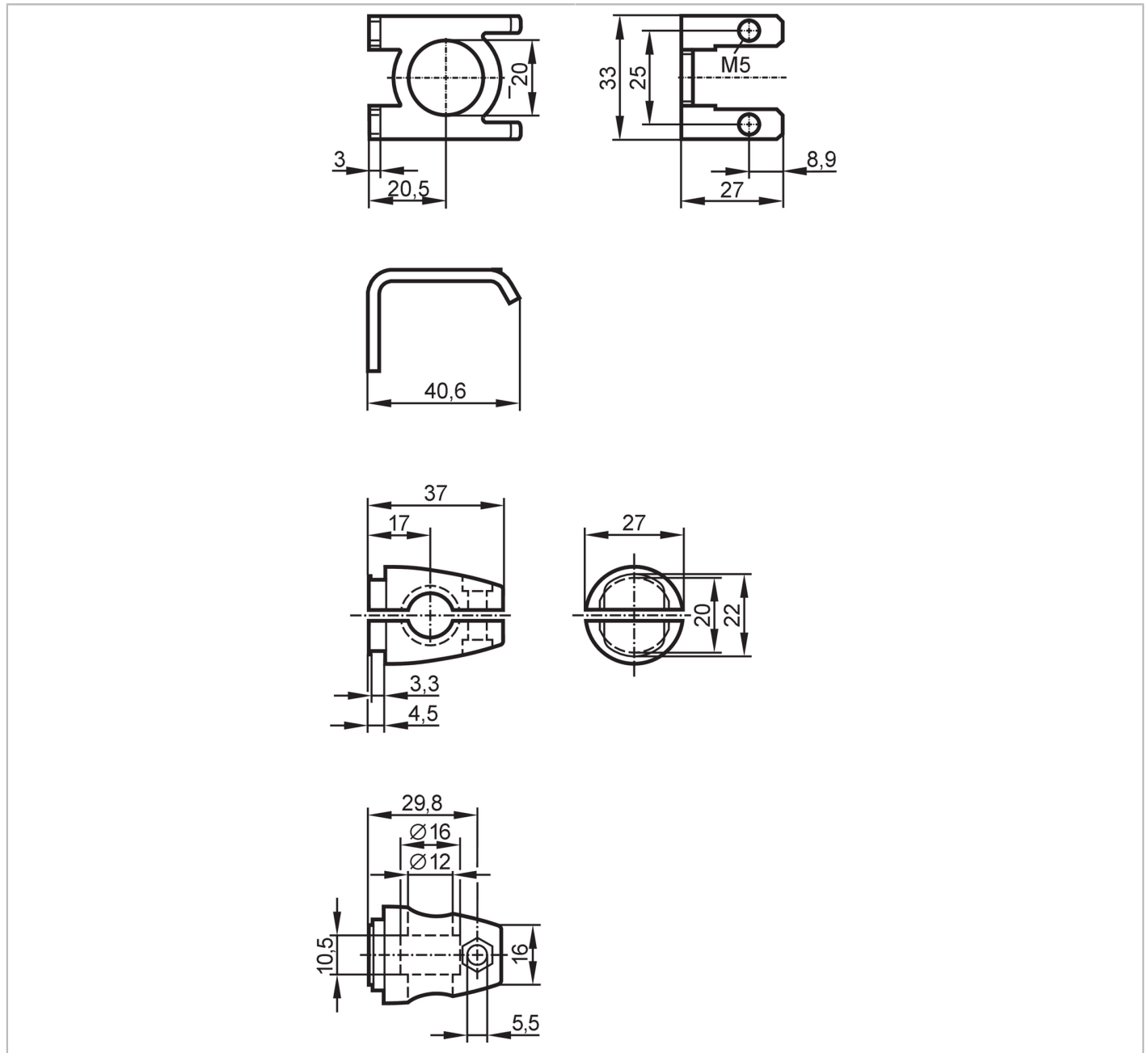


# E21083



## Mounting set for photoelectric sensors

O5 MOUNTING BRACKET ROD



Application	
Design	Clamp mounting, for types, O5
Mechanical data	
Weight [g]	221.5
Type of mounting	free-standing; (M10)
Material	stainless steel (1.4571/316Ti); Clamp: diecast zinc
Accessories	
Items supplied	head cap screw: 1 x (M10 x 120 mm)
	Nuts: 2 x M10
	washers: 2
	cylinder screws: 2 x (M5 x 8 mm)

# E21083



## Mounting set for photoelectric sensors

O5 MOUNTING BRACKET ROD

Remarks	
Pack quantity	1 pcs.