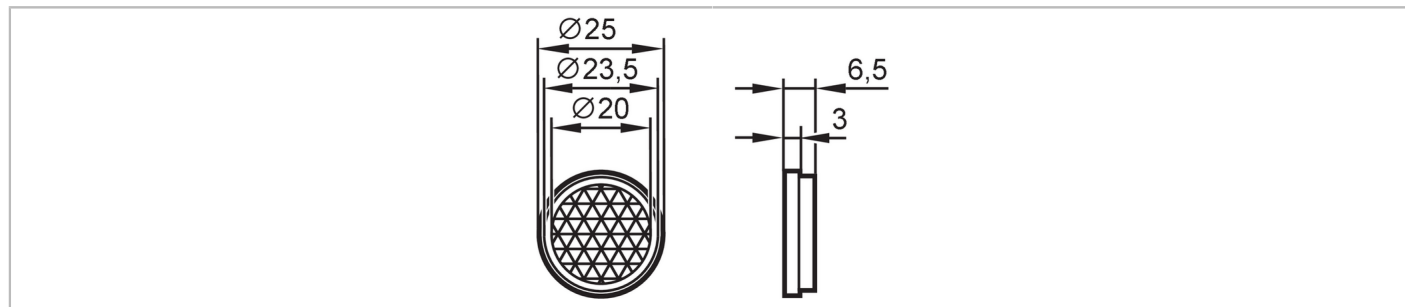


E20003



Reflector for retro-reflective sensors

REFLECTOR TS-22



Application	
Design	round, for red light and infrared light retro-reflective sensors
Installation	sticking to a surface
Operating conditions	
Ambient temperature [°C]	-10...60
Mechanical data	
Weight [g]	4
Dimensions [mm]	Ø 25 / L = 6.5
Reflector surface [mm]	Ø 20
Material	plastics
Remarks	
Pack quantity	1 pcs.