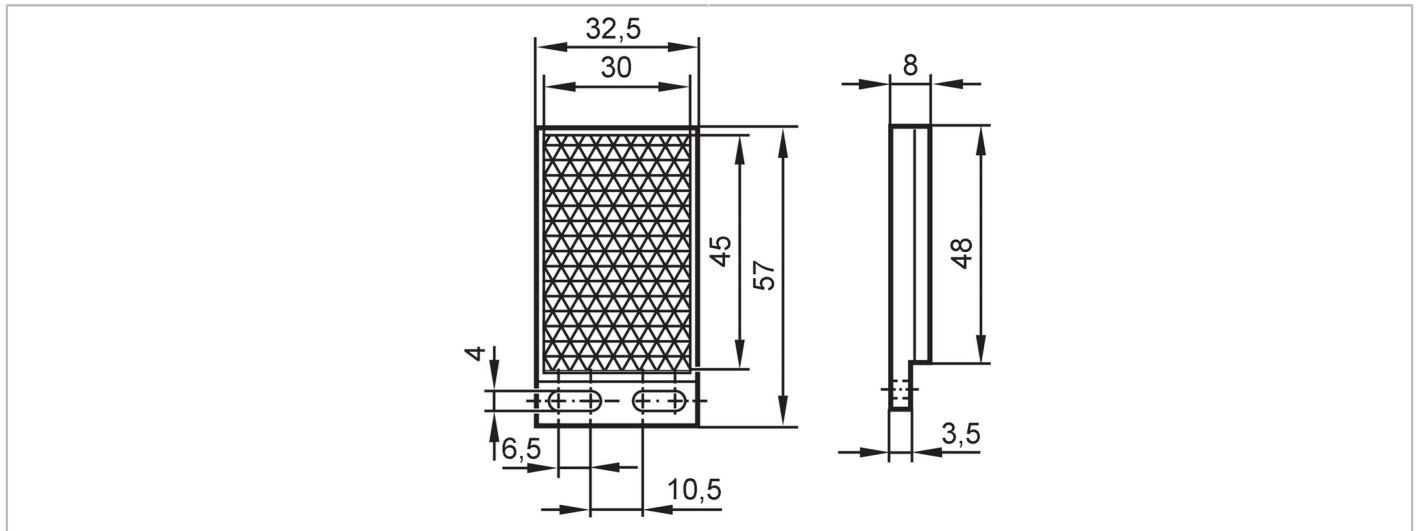


E20961



Reflector for retro-reflective sensors

REFLECTOR TS-57X32



Application		
Design	rectangular, for red light and infrared light retro-reflective sensors	
Operating conditions		
Ambient temperature	[°C]	-10...58
Mechanical data		
Weight	[g]	11
Dimensions	[mm]	57 x 32,5 x 8
Reflector surface	[mm]	30 x 45
Material	plastics	
Remarks		
Pack quantity	1 pcs.	