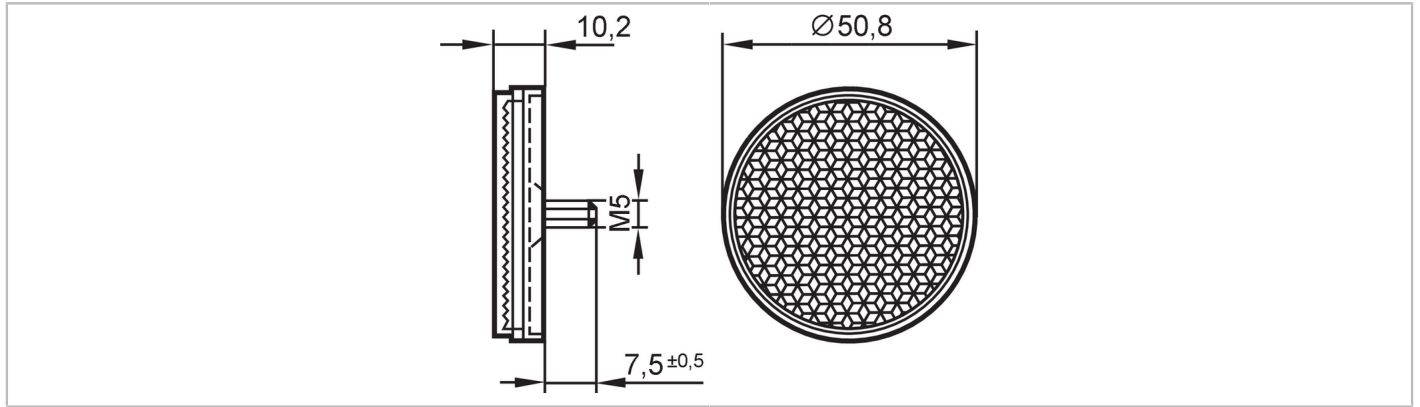


E20956



Reflector for retro-reflective sensors

REFLECTOR TS-50



Application

Design round, for red light and infrared light retro-reflective sensors

Operating conditions

Ambient temperature [°C] -10...60

Mechanical data

Weight [g]	15.7
Dimensions [mm]	Ø 50.8 / L = 10.2
Reflector surface [mm]	Ø 48
Material	plastics

Remarks

Pack quantity 1 pcs.