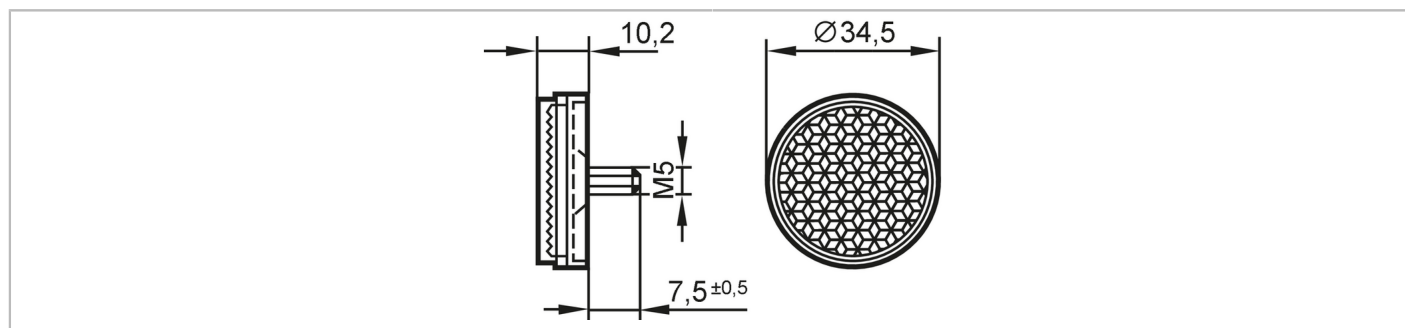


E20954



Reflector for retro-reflective sensors

REFLECTOR TS-35



Application		
Design	round, for red light and infrared light retro-reflective sensors	
Operating conditions		
Ambient temperature	[°C]	-10...60
Mechanical data		
Weight	[g]	10
Dimensions	[mm]	Ø 34.5 / L = 10.2
Reflector surface	[mm]	Ø 32
Material		plastics
Remarks		
Pack quantity		1 pcs.