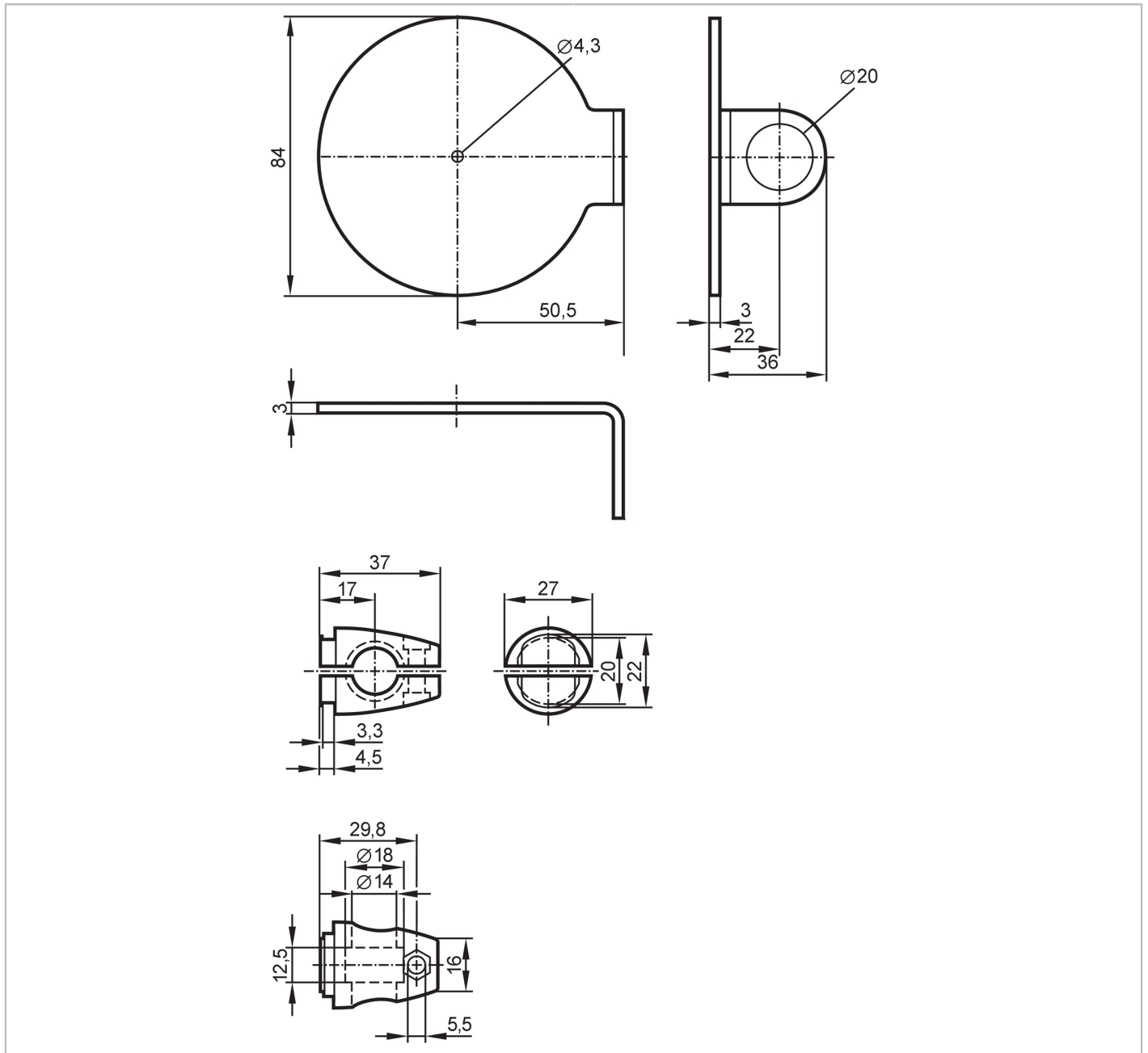


E20914



Mounting set for reflectors

SYSTEM COMPONENT REFL BOLT



Application	
Design	Clamp mounting, for reflector, Ø 80 mm
Mechanical data	
Weight	[g] 389.2
Type of mounting	free-standing; (M12)
Material	fixture: stainless steel (1.4571/316Ti); Clamp: diecast zinc; socket head screws: stainless steel; washers: stainless steel; Nuts: stainless steel

E20914



Mounting set for reflectors

SYSTEM COMPONENT REFL BOLT

Accessories	
Items supplied	socket head screw: 1 x (M12 x 120 mm)
	washers: 2 x (A13)
	Nuts: 2 x (M12)
	socket head screw: 1 x (M4 x 12 mm)
	washer: 1 x (A4,3)
	Nut: 1 x (M4)
Remarks	
Pack quantity	1 pcs.