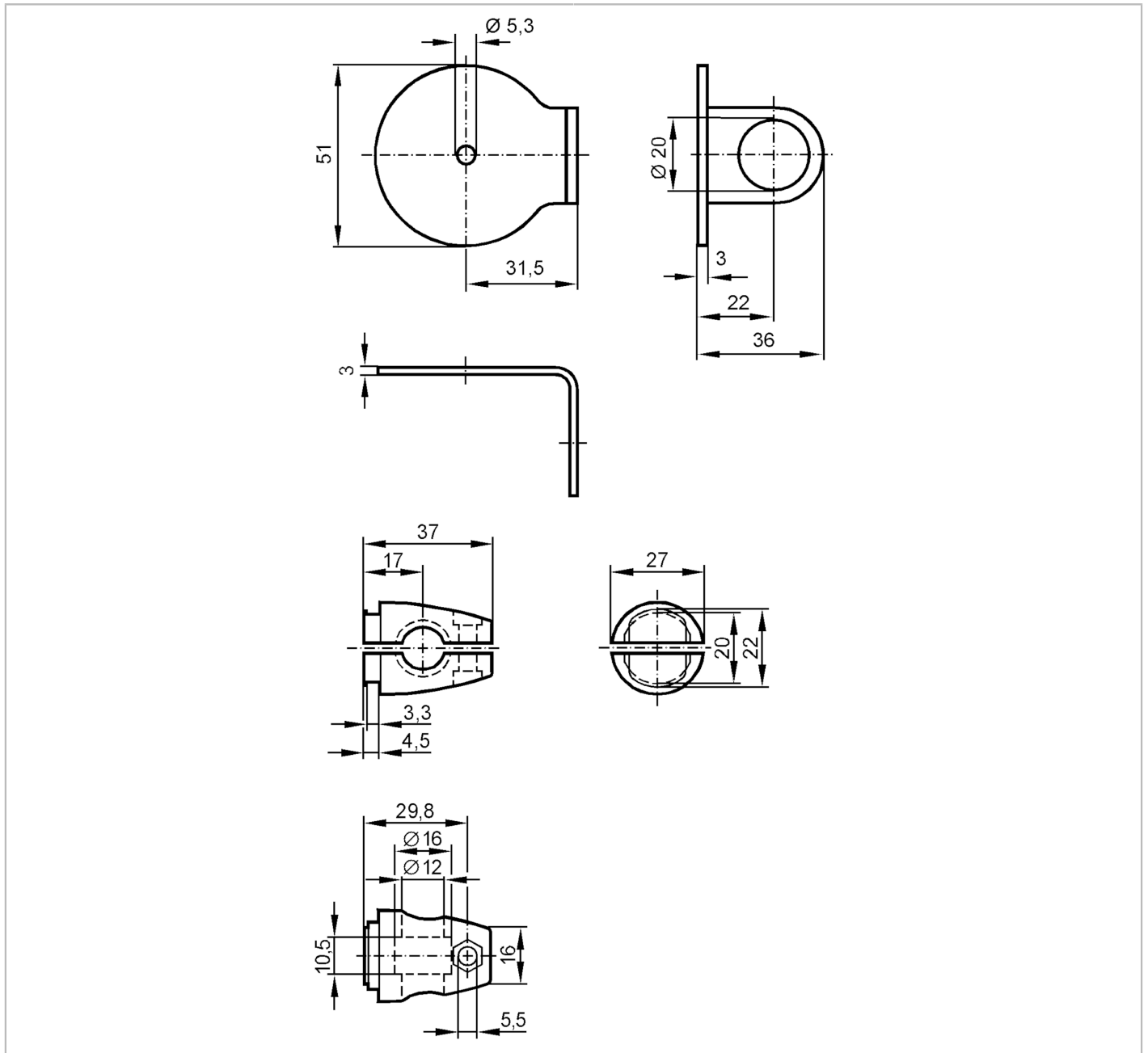


# E20910



## Mounting set for reflectors

SYSTEM COMPONENT REFL BOLT



Application	
Design	Clamp mounting, for reflector, $\varnothing 50$ mm
Mechanical data	
Weight [g]	220.5
Type of mounting	free-standing; (M10)
Material	fixture: stainless steel (1.4571/316Ti ); Clamp: diecast zinc; head cap screw: stainless steel; washers: stainless steel; Nuts: stainless steel
Accessories	
Items supplied	head cap screw: 1 x (M10 x 55 mm) washers: 2 x ( $\varnothing 10,5$ mm) Nuts: 2 x (M10)

# E20910



## Mounting set for reflectors

SYSTEM COMPONENT REFL BOLT

Remarks	
Pack quantity	1 pcs.