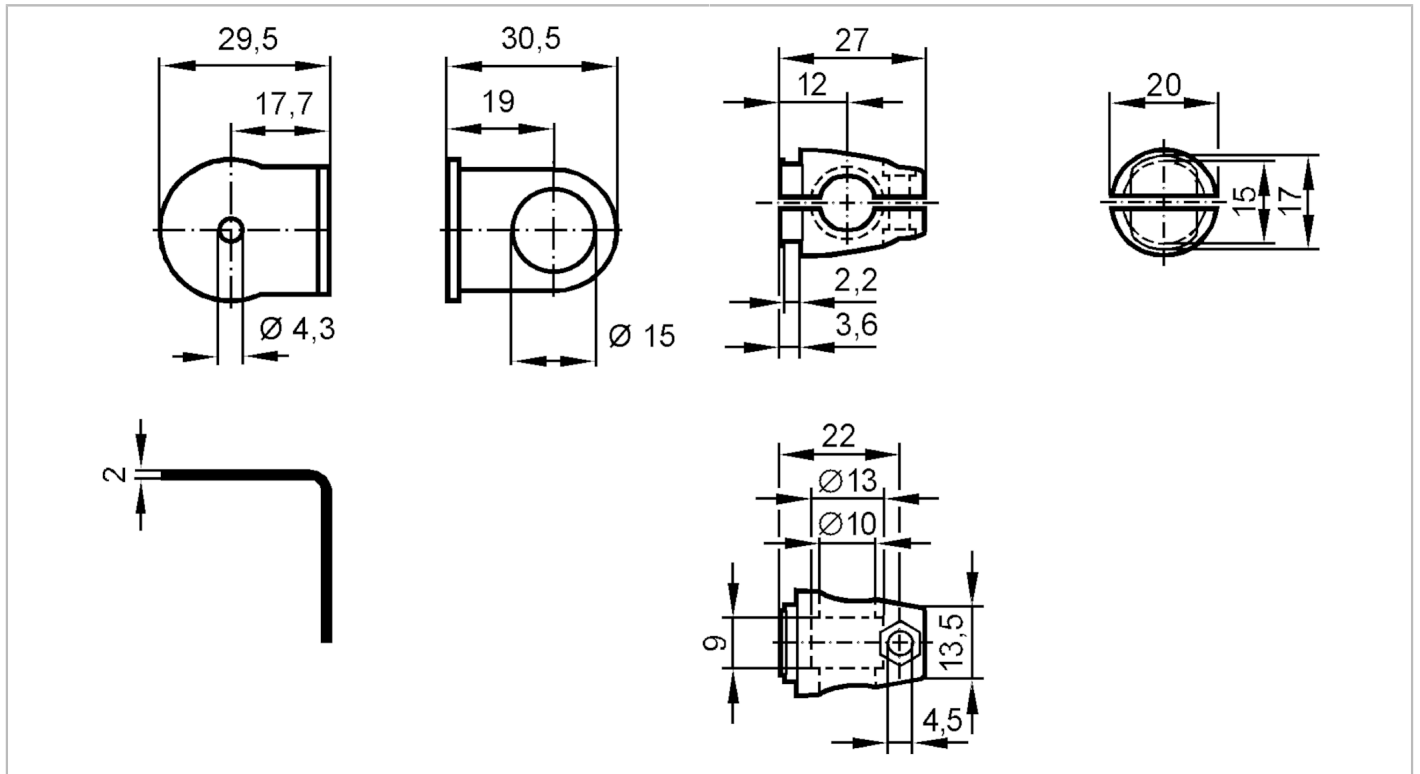


# E20902



## Mounting set for reflectors

SYSTEM COMPONENT REFL BOLT



Application	
Design	Clamp mounting, for reflector, $\varnothing 25$ mm
Mechanical data	
Weight [g]	89.5
Type of mounting	free-standing; (M8)
Material	fixture: stainless steel (1.4571/316Ti); Clamp: diecast zinc
Accessories	
Items supplied	screw: 1 x (M8 x 40 mm)
Remarks	
Pack quantity	1 pcs.