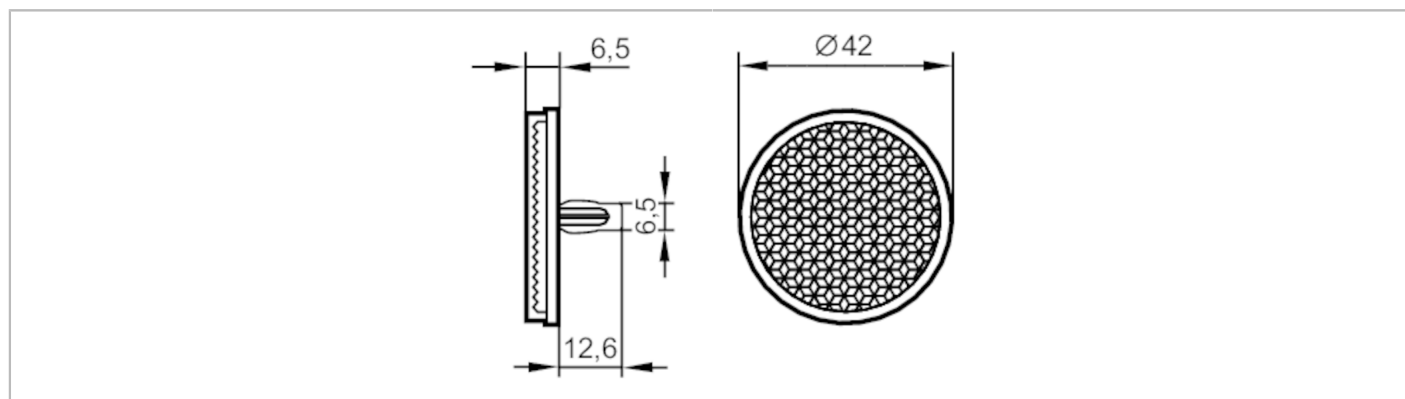


# E20851



## Reflector for retro-reflective sensors

REFLECTOR TS40-01



Application	
Design	round, for red light and infrared light retro-reflective sensors
Installation	push-fit fastener
Operating conditions	
Ambient temperature [°C]	-10...60
Mechanical data	
Weight [g]	7.8
Dimensions [mm]	Ø 42 / L = 6.5
Reflector surface [mm]	Ø 40
Material	plastics
Remarks	
Pack quantity	1 pcs.