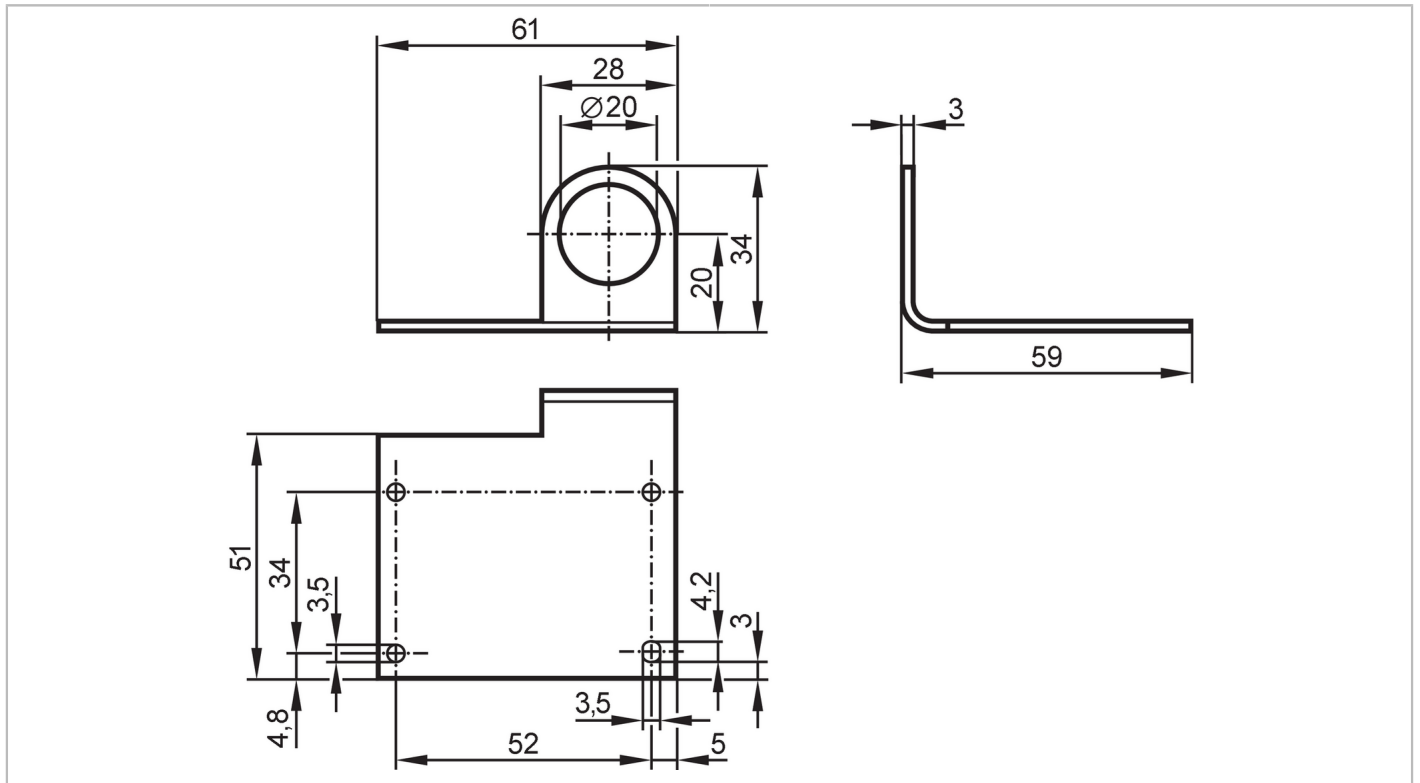


# E20724



## Angle bracket

ANGLE BRACKET REFLECTOR



Application	
Design	for reflector 50 x 50 mm
Mechanical data	
Weight [g]	112.5
Dimensions [mm]	34 x 61 x 59
Material	fixture: stainless steel (1.4571/316Ti )
Remarks	
Pack quantity	1 pcs.