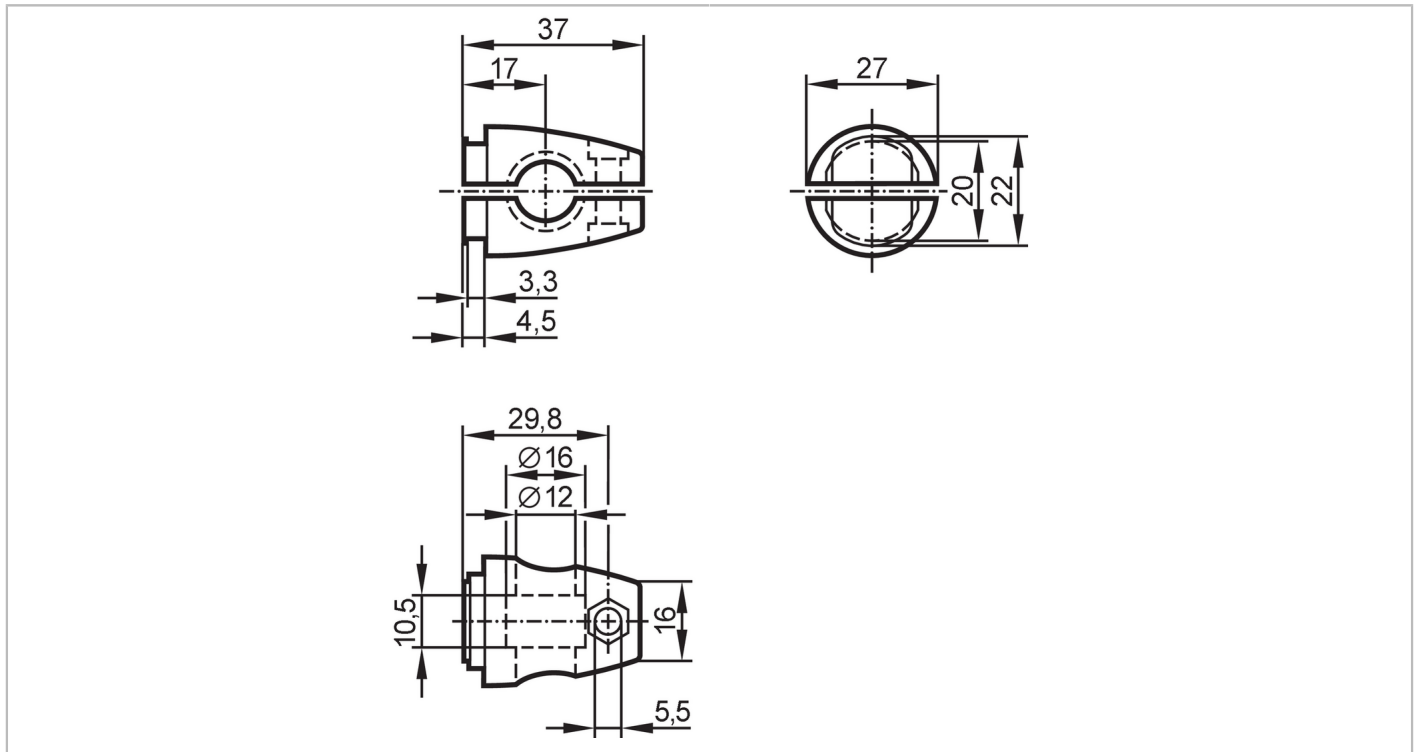


# E20717



## Clamp

CLAMP KR



### Mechanical data

Weight	[g]	79.5
Type of mounting		Mounting rod; ( $\varnothing 12$ mm)
Dimensions	[mm]	27 x 27 x 37
Material		Clamp: diecast zinc

### Accessories

Items supplied	Clamps: 1
	cylinder screws: 1 x (M5 x 16 mm)
	Hexagon nuts: 1 x M5

### Remarks

Pack quantity	1 pcs.
---------------	--------