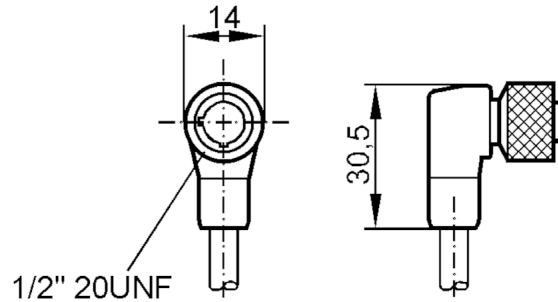


E18243



Female cordset

ADOAA050MSS0009A05



Application

Application Industrial applications

Electrical data

Operating voltage [V]	< 250 AC/DC
Max. current load total [A]	4

Operating conditions

Ambient temperature [°C]	-40...90
Protection	IP 68

Mechanical data

Weight [g]	385.553
Molded-body material	TPU (urethane)
Material nut	brass, nickel-plated

Remarks

Pack quantity 1 pcs.

Electrical connection

Cable: 9 m, PUR, black, Ø 5.3 mm; 5 x 0.34 mm² (19 x Ø 0.16 mm) / AWG 22

Electrical connection - Socket

Connector: 1 x 1/2", angled; coding: C; Contacts: 5; Moulded body: TPU (urethane); Locking: brass, nickel-plated



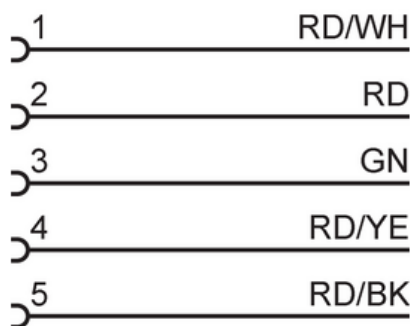
E18243



Female cordset

ADOAA050MSS0009A05

Connection



Core colors :

BK =	black
GN =	green
RD =	red
WH =	white
YE =	yellow