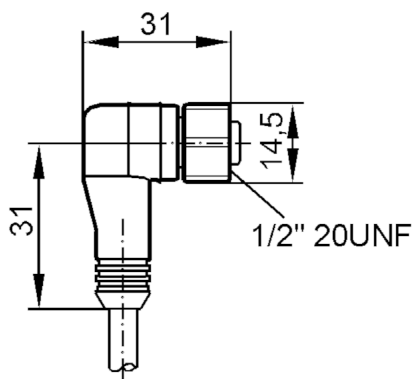


E18211



Female cordset

ADOAA030VAS0025E03



| Application | |
|--|---|
| Special feature | gold-plated contacts |
| Application | sanitary and wet areas in the food industry |
| Electrical data | |
| Operating voltage [V] | < 300 AC/DC |
| Operating conditions | |
| Ambient temperature [°C] | -10...100 |
| Protection | IP 68 |
| Mechanical data | |
| Weight [g] | 987 |
| Dimensions [mm] | 31 x 14.5 x 31 |
| Molded-body material | PVC |
| Material nut | stainless steel (1.4571/316Ti) |
| Remarks | |
| Pack quantity | 1 pcs. |
| Electrical connection | |
| Cable: 25 m, PVC, yellow; 3 x 0.34 mm ² / AWG 22 | |
| Electrical connection - Socket | |
| Connector: 1 x 1/2", angled; coding: C; Contacts: 3, gold-plated; Moulded body: PVC; Locking: stainless steel (1.4571/316Ti) | |
| | |

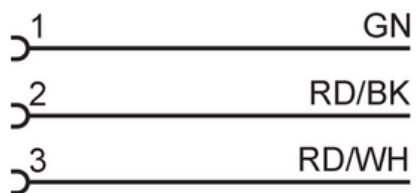
E18211



Female cordset

ADOAA030VAS0025E03

Connection



GN = green
RD/BK = red/black
RD/WH = red/white