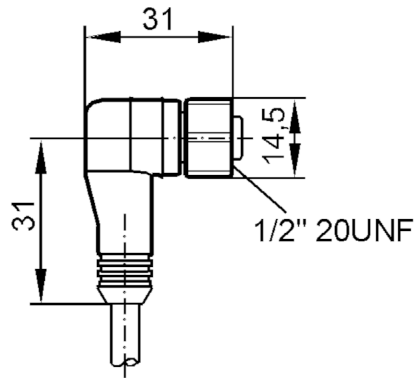


E18210



Female cordset

ADOAA030VAS0010E03



Application

Special feature	gold-plated contacts
Application	sanitary and wet areas in the food industry

Electrical data

Operating voltage	[V]	< 300 AC/DC
-------------------	-----	-------------

Operating conditions

Ambient temperature	[°C]	-10...100
Protection		IP 68

Mechanical data

Weight	[g]	294.835
Dimensions	[mm]	31 x 14.5 x 31
Molded-body material		PVC
Material nut		stainless steel (1.4571/316Ti)

Remarks

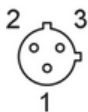
Pack quantity		1 pcs.
---------------	--	--------

Electrical connection

Cable: 10 m, PVC, yellow; 3 x 0.34 mm² / AWG 22

Electrical connection - Socket

Connector: 1 x 1/2", angled; coding: C; Contacts: 3, gold-plated; Moulded body: PVC; Locking: stainless steel (1.4571/316Ti)



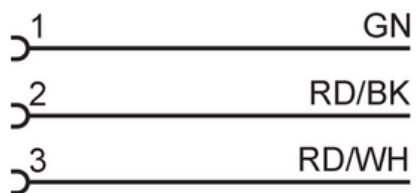
E18210



Female cordset

ADOAA030VAS0010E03

Connection



GN =
RD/BK =
RD/WH =

Core colors :
green
red/black
red/white