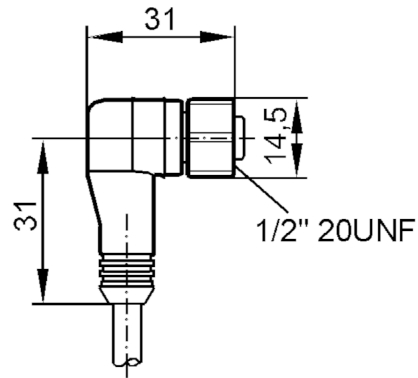


E18209



Female cordset

ADOAA030VAS0005E03



Application

Special feature	gold-plated contacts
Application	sanitary and wet areas in the food industry

Electrical data

Operating voltage [V]	< 300 AC/DC
-----------------------	-------------

Operating conditions

Ambient temperature [°C]	-10...100
Protection	IP 68

Mechanical data

Weight [g]	199.58
Dimensions [mm]	31 x 14.5 x 31
Molded-body material	PVC
Material nut	stainless steel (1.4571/316Ti)

Remarks

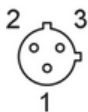
Pack quantity	1 pcs.
---------------	--------

Electrical connection

Cable: 5 m, PVC, yellow; 3 x 0.34 mm² / AWG 22

Electrical connection - Socket

Connector: 1 x 1/2", angled; coding: C; Contacts: 3, gold-plated; Moulded body: PVC; Locking: stainless steel (1.4571/316Ti)



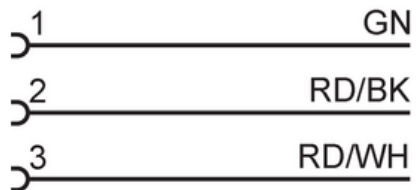
E18209



Female cordset

ADOAA030VAS0005E03

Connection



GN =
RD/BK =
RD/WH =

Core colors :
green
red/black
red/white