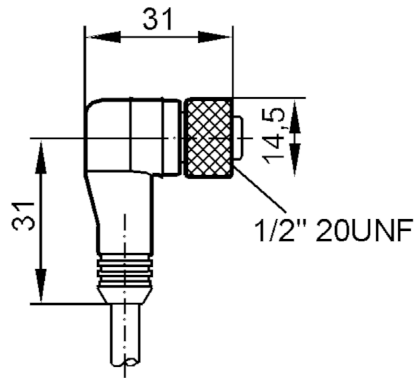


E18205



Female cordset

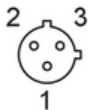
ADOAA030MSS0010X03



Application	
Special feature	gold-plated contacts
Application	Industrial applications
Electrical data	
Operating voltage [V]	< 300 AC/DC
Operating conditions	
Ambient temperature [°C]	-45...105
Protection	IP 68
Mechanical data	
Weight [g]	361.966
Dimensions [mm]	31 x 14.5 x 31
Molded-body material	TPE
Material nut	brass, nickel-plated
Remarks	
Pack quantity	1 pcs.

Electrical connection
 Cable: 10 m, TPE-S, yellow; 3 x 0.34 mm² / AWG 22

Electrical connection - Socket
 Connector: 1 x 1/2", angled; coding: C; Contacts: 3, gold-plated; Moulded body: TPE; Locking: brass, nickel-plated



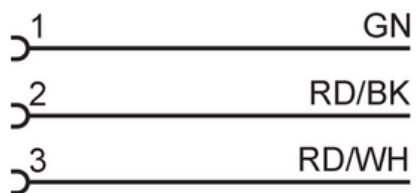
E18205



Female cordset

ADOAA030MSS0010X03

Connection



GN =
RD/BK =
RD/WH =

Core colors :
green
red/black
red/white