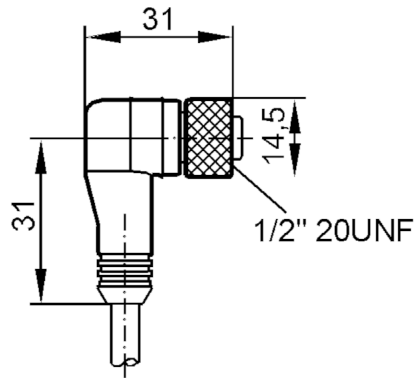


E18204



Female cordset

ADOAA030MSS0005X03



Application

Special feature	gold-plated contacts
Application	Industrial applications

Electrical data

Operating voltage	[V]	< 300 AC/DC
-------------------	-----	-------------

Operating conditions

Ambient temperature	[°C]	-45...105
Protection		IP 68

Mechanical data

Weight	[g]	204.116
Dimensions	[mm]	31 x 14.5 x 31
Molded-body material		TPE
Material nut		brass, nickel-plated

Remarks

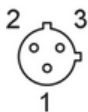
Pack quantity	1 pcs.
---------------	--------

Electrical connection

Cable: 5 m, TPE-S, yellow; 3 x 0.34 mm² / AWG 22

Electrical connection - Socket

Connector: 1 x 1/2", angled; coding: C; Contacts: 3, gold-plated; Moulded body: TPE; Locking: brass, nickel-plated



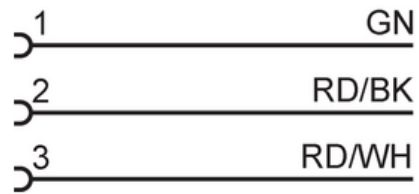
E18204



Female cordset

ADOAA030MSS0005X03

Connection



GN =
RD/BK =
RD/WH =

Core colors :
green
red/black
red/white