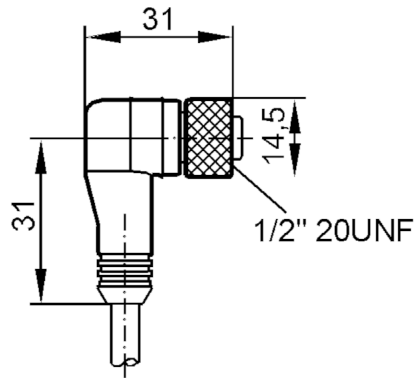


# E18203



## Female cordset

ADOAA030MSS0002X03



### Application

Special feature	gold-plated contacts
Application	Industrial applications

### Electrical data

Operating voltage	[V]	< 300 AC/DC
-------------------	-----	-------------

### Operating conditions

Ambient temperature	[°C]	-45...105
Protection		IP 68

### Mechanical data

Weight	[g]	158.757
Dimensions	[mm]	31 x 14.5 x 31
Molded-body material		TPE
Material nut		brass, nickel-plated

### Remarks

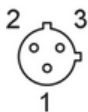
Pack quantity		1 pcs.
---------------	--	--------

### Electrical connection

Cable: 2 m, TPE-S, yellow; 3 x 0.34 mm<sup>2</sup> / AWG 22

### Electrical connection - Socket

Connector: 1 x 1/2", angled; coding: C; Contacts: 3, gold-plated; Moulded body: TPE; Locking: brass, nickel-plated



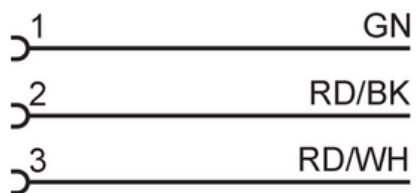
# E18203



## Female cordset

ADOAA030MSS0002X03

### Connection



GN = green  
RD/BK = red/black  
RD/WH = red/white