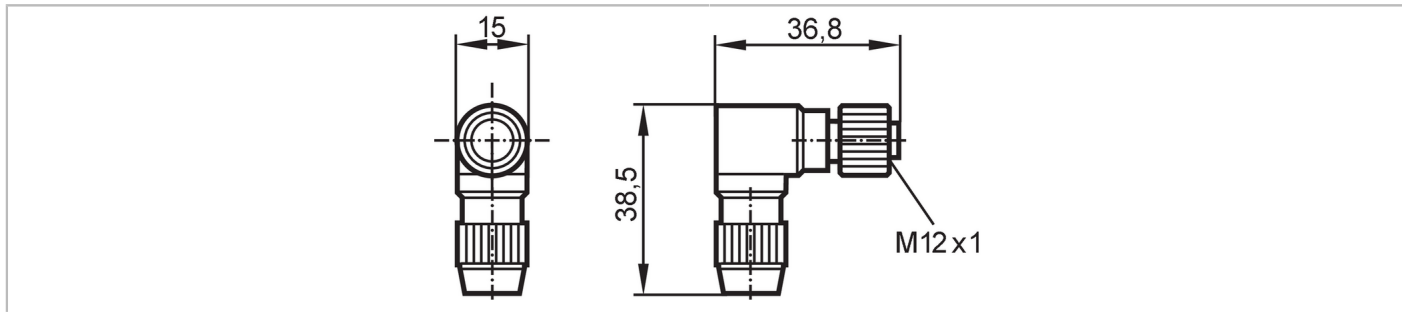


E18061



Female wirable connectors

SDOAH040MSSFKPG



Application	
Application	Industrial applications
Electrical data	
Operating voltage [V]	< 250 DC
Operating conditions	
Ambient temperature [°C]	-25...85
Protection	IP 68
Mechanical data	
Weight [g]	22.68
Dimensions [mm]	36.5 x 15 x 38.5
Molded-body material	PA 6.6
Material nut	brass, nickel-plated
Remarks	
Pack quantity	1 pcs.

Electrical connection
 insulation displacement technology: 0.14...0.34 mm²; Core insulation: PVC / PETP; (Ø 1.0...1.55 mm); Cable sheath: Ø 4...5 mm

Electrical connection - Socket
 Connector: 1 x M12, angled; coding: A; Contacts: 4; Moulded body: PA 6.6; Locking: brass, nickel-plated

