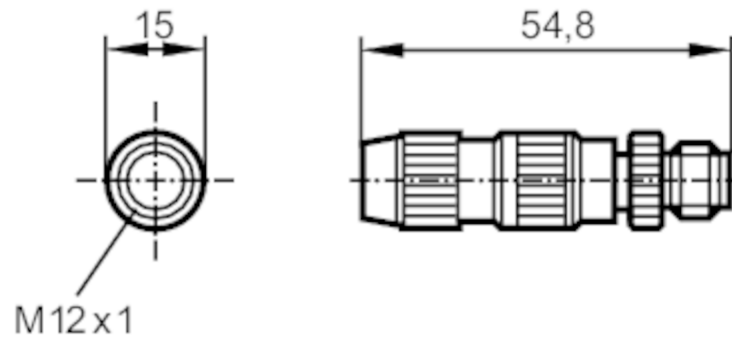


E18058



Wirable plug

SSTGH040MSSFKPG



Electrical data

Operating voltage	[V]	< 250 DC
Max. current load total	[A]	3

Operating conditions

Ambient temperature	[°C]	-25...85
Protection		IP 68

Mechanical data

Weight	[g]	22.68
Dimensions	[mm]	15 x 15 x 54.8
Material		PA 6.6
Molded-body material		PA 6.6
Material nut		brass, nickel-plated

Remarks

Pack quantity		1 pcs.
---------------	--	--------

Electrical connection

insulation displacement technology: 0.14...0.34 mm²; Core insulation: PVC / PETP; (Ø 1.0...1.55 mm); Cable sheath: Ø 4...5 mm

Electrical connection - plug

Connector: 1 x M12, straight; coding: A; Moulded body: PA 6.6; Locking: brass, nickel-plated



E18058



Wirable plug

SSTGH040MSSFKPG

Connection

