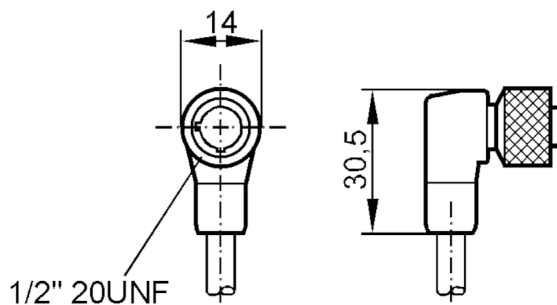


E18027



Female cordset

ADOAA050MSS0004A05



Application

Application	Industrial applications
-------------	-------------------------

Electrical data

Operating voltage	[V]	< 250 AC/DC
Max. current load total	[A]	4

Operating conditions

Ambient temperature	[°C]	-40...90
Protection		IP 68

Mechanical data

Weight	[g]	181.437
Molded-body material		TPU (urethane)
Material nut		brass, nickel-plated

Remarks

Pack quantity	1 pcs.
---------------	--------

Electrical connection

Cable: 4 m, PUR, black, Ø 5.3 mm; 5 x 0.34 mm² (19 x Ø 0.16 mm) / AWG 22

Electrical connection - Socket

Connector: 1 x 1/2", angled; coding: C; Contacts: 5; Moulded body: TPU (urethane); Locking: brass, nickel-plated



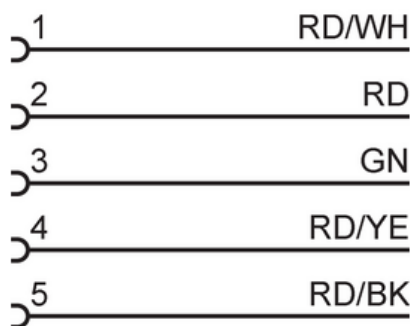
E18027



Female cordset

ADOAA050MSS0004A05

Connection



Core colors :
BK = black
GN = green
RD = red
WH = white
YE = yellow