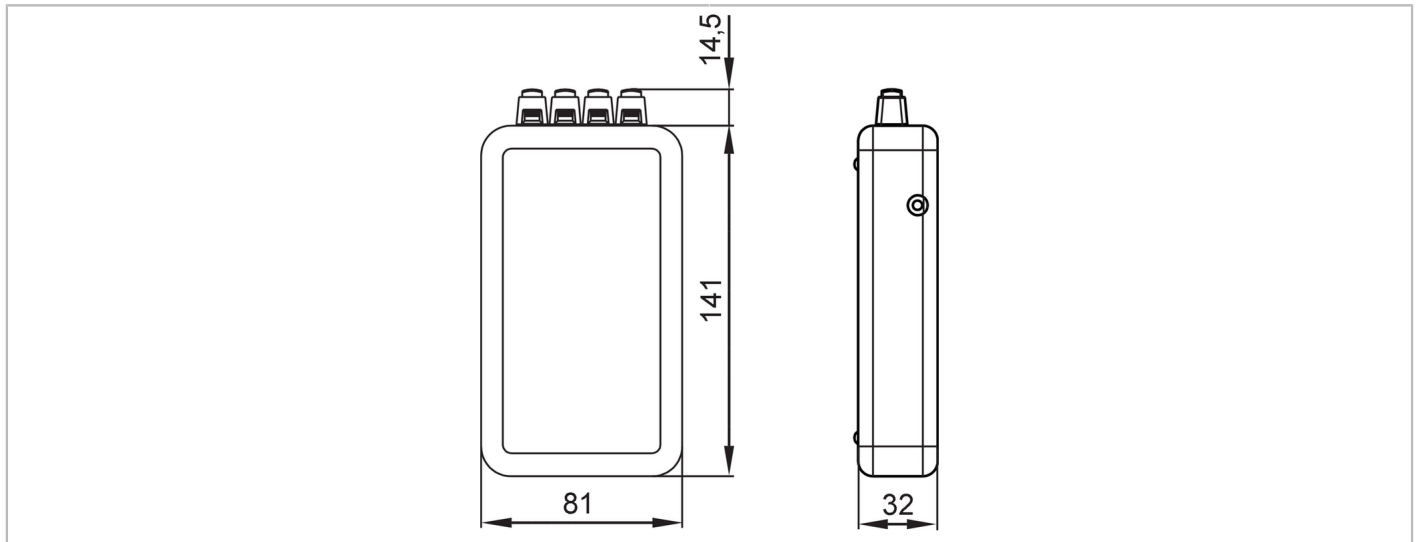


E18430



Sensor Testpak

SENSOR TESTPAK



CE

Electrical data		
Input voltage DC	[V]	4.5
Output voltage DC	[V]	18
Outputs		
Output current total	[A]	0.04
Operating conditions		
Ambient temperature	[°C]	-20...40
Protection		IP 21
Tests / approvals		
MTTF	[years]	341
Mechanical data		
Weight	[g]	393.3
Dimensions	[mm]	141 x 82 x 34
Material		ABS; silicone
Displays / operating elements		
Display	voltage supply	green
	Display switching status	yellow
Operating elements	membrane key	ON / OFF
	membrane key	Teach
Accessories		
Accessory required		battery 3 x AA / 1,5 V
Remarks		
Pack quantity		1 pcs.

E18430



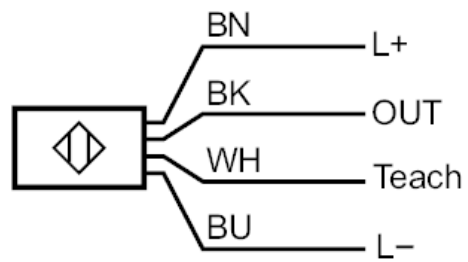
Sensor Testpak

SENSOR TESTPAK

Electrical connection

quick-press terminal: 4 x

Connection



BN	: brown
BK	: black
WH	: white
BU	: blue