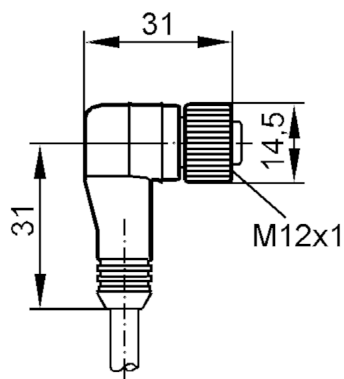


E18407



Female cordset

ADOAH040MSC0010X04



Application		
Special feature		gold-plated contacts
Application		Industrial applications
Electrical data		
Operating voltage	[V]	< 300 AC/DC
Operating conditions		
Ambient temperature	[°C]	-45...105
Protection		IP 68
Mechanical data		
Weight	[g]	771.106
Dimensions	[mm]	31 x 14.5 x 31
Molded-body material		TPE
Material nut		zinc, PTFE coated
Remarks		
Pack quantity		1 pcs.
Electrical connection		
Cable: 10 m, yellow; 4 x 0.75 mm ² / AWG 18		
Electrical connection - Socket		
Connector: 1 x M12, angled; coding: A; Contacts: 4, gold-plated; Moulded body: TPE; Locking: zinc, PTFE coated		

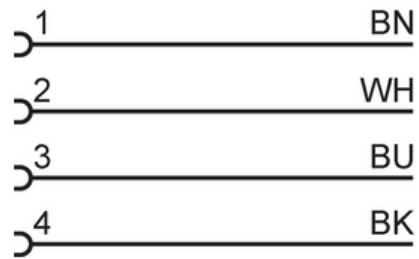
E18407



Female cordset

ADOAH040MSC0010X04

Connection



Core colors :
BK = black
BN = brown
BU = blue
WH = white