

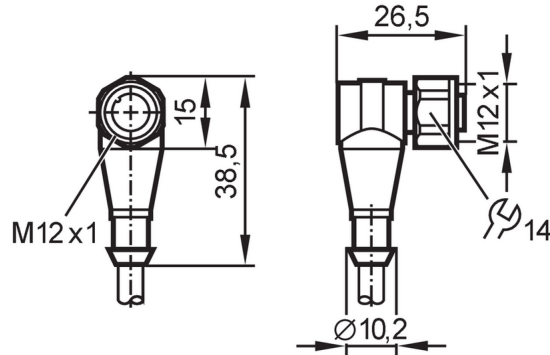
# E12343



## Female cordset

ADOAH080VAS0025E08

For 8-wire cordsets the core colors are not standardized.  
Please note the wiring of the sensor and the cordsets (see data sheet).



### Application

Special feature	Free from silicone; gold-plated contacts
Application	sanitary and wet areas in the food industry
Free from silicone	yes

### Electrical data

Operating voltage	[V]	< 30 AC / < 36 DC
Max. current load total	[A]	2

### Operating conditions

Ambient temperature	[°C]	-25...100
Protection		IP 68; IP 69K

### Mechanical data

Weight	[g]	1584
Dimensions	[mm]	26.5 x 15 x 38.5
Molded-body material		PVC
Material nut		stainless steel (1.4404 / 316L)
Sealing material		EPDM

### Remarks

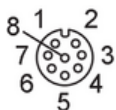
Pack quantity		1 pcs.
---------------	--	--------

### Electrical connection

Cable: 25 m, PVC, orange, Ø 5.9 mm; 8 x 0.25 mm<sup>2</sup> (32 x Ø 0.1 mm )

### Electrical connection - Socket

Connector: 1 x M12, angled; coding: A; Contacts: 8, gold-plated; Moulded body: PVC, orange; Locking: stainless steel (1.4404 / 316L); sealing: EPDM; Tightening torque: 0.7...0.9 Nm



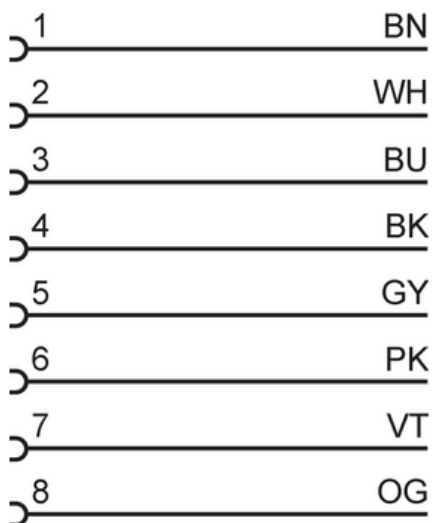
# E12343



## Female cordset

ADOAH080VAS0025E08

### Connection



Colors to DIN EN 60947-5-2

Core colors :

BK =	black
BN =	brown
BU =	blue
GY =	grey
PK =	pink
OG =	orange
VT =	lilac
WH =	white