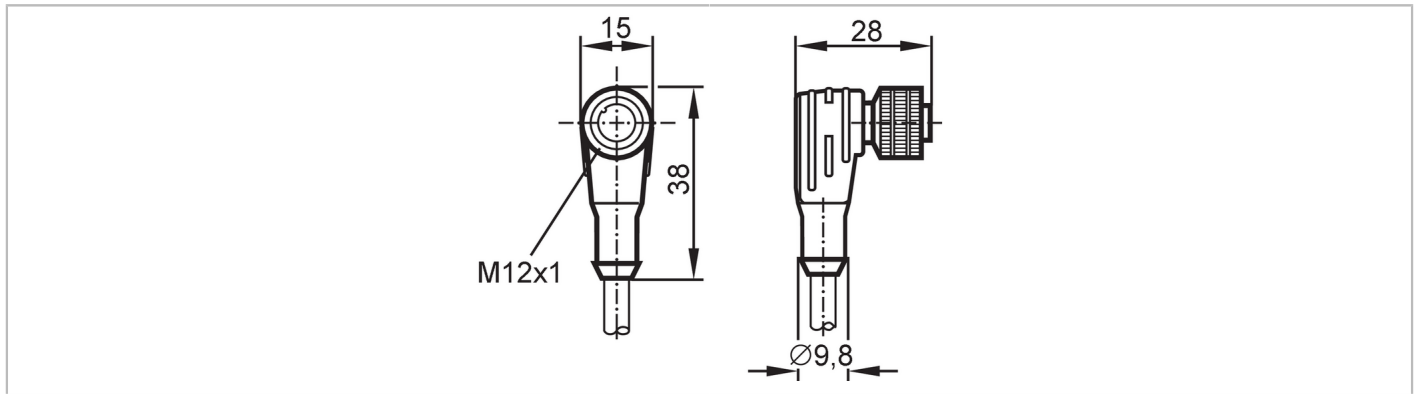


E12340



Female cordset

ADOAH040MSS0010C04



Application	
Special feature	Free from silicone; Halogen-free; gold-plated contacts; screened cable; Drag chain suitability
Application	Industrial applications
Free from silicone	yes
Electrical data	
Operating voltage [V]	< 50 AC / < 60 DC
Protection class	III
Max. current load total [A]	4
Operating conditions	
Ambient temperature [°C]	-25...85
Note on ambient temperature	21 days: ...120
Protection	IP 67
Mechanical data	
Weight [g]	512.7
Dimensions [mm]	28 x 15 x 38
Molded-body material	TPU (urethane)
Material nut	diecast zinc
Drag chain suitability	yes
Drag chain suitability	Bending radius min. 10 x cable diameter
Remarks	
Pack quantity	1 pcs.
Electrical connection	
Cable: 10 m, PUR, Halogen-free, black, Ø 5 mm, screened; 4 x 0.34 mm ² (42 x Ø 0.1 mm)	
Electrical connection - Socket	
Connector: 1 x M12, angled; coding: A; Contacts: 4, gold-plated; Moulded body: TPU (urethane); Locking: diecast zinc; Tightening torque: 0.7...0.9 Nm; Shielded connection cable: shield not connected	

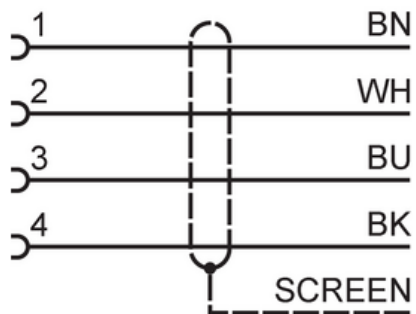
E12340



Female cordset

ADOAH040MSS0010C04

Connection



Core colors :
BK = black
BN = brown
BU = blue
WH = white