

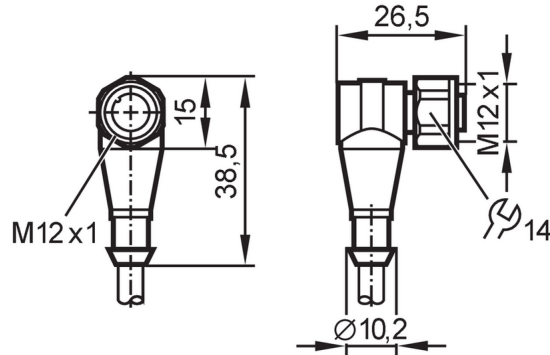
# E12295



## Female cordset

ADOAH080VAS0005E08

For 8-wire cordsets the core colors are not standardized.  
Please note the wiring of the sensor and the cordsets (see data sheet).



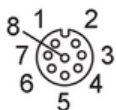
Application	
Special feature	Free from silicone; gold-plated contacts
Application	Washdown applications
Free from silicone	yes
Electrical data	
Operating voltage [V]	< 30 AC / < 36 DC
Max. current load total [A]	2
Operating conditions	
Ambient temperature [°C]	-25...100
Protection	IP 68; IP 69K
Mechanical data	
Weight [g]	325.2
Dimensions [mm]	26.5 x 15 x 38.5
Molded-body material	PVC
Material nut	stainless steel (1.4404 / 316L)
Sealing material	EPDM
Remarks	
Pack quantity	1 pcs.

### Electrical connection

Cable: 5 m, PVC, orange, Ø 6.6 mm; 8 x 0.25 mm<sup>2</sup> (32 x Ø 0.1 mm )

### Electrical connection - Socket

Connector: 1 x M12, angled; coding: A; Contacts: 8, gold-plated; Moulded body: PVC, orange; Locking: stainless steel (1.4404 / 316L); sealing: EPDM; Tightening torque: 0.7...0.9 Nm



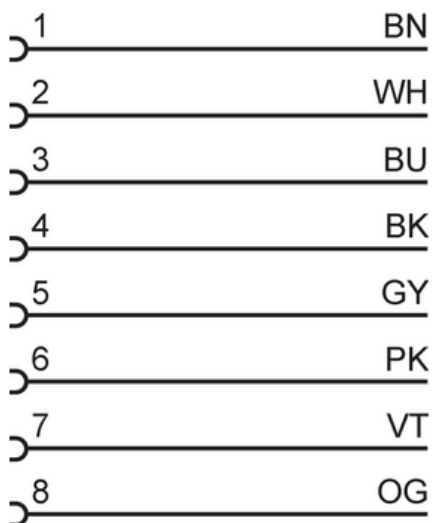
# E12295



## Female cordset

ADOAH080VAS0005E08

### Connection



Colors to DIN EN 60947-5-2

Core colors :

BK =	black
BN =	brown
BU =	blue
GY =	grey
PK =	pink
OG =	orange
VT =	lilac
WH =	white